

Patents, Designs, and Trade Marks

SUPPLEMENT

TO THE

NEW ZEALAND GAZETTE

OF

THURSDAY, JULY 29, 1909.

Published by Authority.

WELLINGTON, THURSDAY, JULY 29, 1909.

CONTENTS.

	Page
Complete Specifications and Drawings open to Inspection	2013
International and Intercolonial Arrangements for the Mutual Protection of Patents and Trade Marks	2014
Patent Publications in New Zealand	2014
Books and Documents open to Inspection at Patent Office, Wellington	2014
Books, Documents, &c., open to Inspection at Local Patent Offices, Auckland, Christchurch, and Dunedin	2015
Specifications of Inventions open to Inspection	2015
Official Publications	2015
Local Patent Offices	2015
Office for Registration of Copyright	2015
Applications for Letters Patent filed	2015
Complete Specifications filed after Provisionals	2016
Complete Specifications accepted	2017
Provisional Specifications accepted	2021
Letters Patent sealed	2021
Letters Patent on which Fees have been paid	2021
Subsequent Proprietors of Letters Patent registered	2021
Applications for Letters Patent abandoned	2022
Application for Letters Patent withdrawn	2022
Applications for Letters Patent void	2022
Applications for Letters Patent lapsed	2022
Letters Patent void	2022
Design registered	2022
Applications for Trade Marks filed	2022
Applications for Registration of Trade Marks	2023
Trade Marks registered	2026
Subsequent Proprietors of Trade Marks registered	2027
Trade Mark Renewal Fees paid	2027
Trade Mark restored to the Register	2027

Complete Specifications and Drawings open to Inspection at Auckland, Dunedin, and Christchurch.

COPIES of the complete specifications and drawings advertised in the *Gazette* will be sent for public inspection to the

LOCAL PATENT OFFICES IN THE SUPREME COURT BUILDINGS

in the following towns on or about the dates mentioned:—

Auckland.

Gazette No. 63, of the 29th July. 4th August to 20th August, inclusive.

Dunedin.

Gazette No. 63, of the 29th July. 26th August to 9th September, inclusive.

Gazette No. 59, of the 15th July. 11th August to 23rd August, inclusive.

Gazette No. 55, of the 1st July. 27th July to 10th August, inclusive.

Christchurch.

Gazette No. 63, of the 29th July. 13th September to 27th September, inclusive.

Gazette No. 59, of the 15th July. 30th August to 13th September, inclusive.

Gazette No. 55, of the 1st July. 14th August to 28th August, inclusive.

Gazette No. 51, of the 17th June. 31st July to 14th August, inclusive.

[NOTE.—The office can take no responsibility if from any cause the specifications are not so available.]

International and Intercolonial Arrangements for the Mutual Protection of Patents and Trade Marks.

INTERNATIONAL CONVENTION.

THE following countries now belong to the Convention:—

Australia.	Italy.
Belgium.	Japan.
Brazil.	Mexico.
Ceylon.	New Zealand.
Cuba.	Norway.
Denmark and Faroe Islands.	Portugal, with the Azores and Madeira.
Dominican Republic.	Servia.
France, with Algeria and Colonies.	Spain.
Germany.	Sweden.
Great Britain.	Switzerland.
Holland, with East Indian Colonies, Curaçoa, and Surinam.*	Tunis.
	United States of America.

* Trade marks only.

Separate arrangements have been made between Australia and New Zealand.

Particulars of the Convention and of such arrangements may be seen in the following *Gazettes*:—

Notification of adhesion of New Zealand to the Convention, with text thereof (in English), in the *Gazette* of 26th November, 1891; notification of adherence of New Zealand to the Additional Act of the Convention, with text (in English), of such Additional Act, in *Patents Supplement to Gazette*, No. 101, of the 16th November, 1905; Order in Council applying section 103 of the Imperial Act to New Zealand, in *Gazette* No. 27, of the 15th May, 1890; Orders in Council containing arrangements between Australia and New Zealand, in *Patent Supplements to the Gazette* Nos. 22 of the 9th March, 1905, and 38 of the 20th April, 1905.

Patent Publications in New Zealand.

THE following publications relating to Patents for inventions, &c., are open to inspection in the Dominion:—

WELLINGTON.—PATENT OFFICE LIBRARY.

United Kingdom.

The full text of the specifications and complete drawings of inventions patented from the year 1617 up to the 29th April, 1909.

Classified illustrated abridgments of inventions from 1855 to 1906 and part of 1907.

Illustrated Official Journal, containing lists of recent applications, abridgments of inventions for which patents have been lately granted, patents void, &c., to June, 1909.

Index of Applicants.

Subject-matter Index.

Commissioner of Patents Journal, &c. (*)

Trade Marks Journal to March, 1909.

Canada.

Patent Office Record (containing illustrated abridgments of inventions, &c.) to February, 1909.

Australia.

The full text of the specifications and complete drawings in respect of applications accepted from the 11th January, 1906, to the 1st December, 1908, inclusive.

The Official Journal of Patents of the Australian Commonwealth (containing lists of applications for letters patent, abridgments of complete specifications accepted, &c.).

The Australian Official Journal of Trade Marks (containing lists of applications for registration of trade marks, &c.).

Specifications, drawings, abridgments, and indexes of Victoria, New South Wales, Queensland, and South Australia (b).

United States.

The full text of the specifications and drawings for the years 1905 and 1906.

The Official Gazette of the United States Patent Office (containing illustrated abridgments of specifications, &c.) to June, 1909.

Mexico.

The Official Gazette of the Patent and Trade Mark Office.

(*) Discontinued.

(b) In arrears. Not now being printed.

General.

La Propriété Industrielle (the official organ of the International Bureau of the Union for the Protection of Industrial Property).

Patent laws of the world.

Patent and Trade Mark Review.

Text-books and handbooks on patents and trade marks.

AUCKLAND.—PUBLIC LIBRARY.

United Kingdom.

Classified abridgments of inventions from 1855 to 1904.

Illustrated Official Journal from 1897 to date.

Canada.

Patent Office Record (containing illustrated abridgments of inventions, &c.) from 1897 to date.

Australia.

The Official Journal of Patents from 1905 to date.

United States.

The Official Gazette of the United States Patent Office (containing illustrated abridgments of specifications, &c.) from 1885 to 1887 and 1890 to 1895.

CHRISTCHURCH.—PUBLIC LIBRARY.

United Kingdom.

Classified abridgments of inventions from 1855 to 1904.

Illustrated Official Journal from October, 1905, to date.

Canada.

Patent Office Record (containing illustrated abridgments of inventions, &c.) from 1897 to date.

Australia.

The Official Journal of Patents from 1905 to date.

DUNEDIN.—PUBLIC LIBRARY.

United Kingdom.

Classified abridgments of inventions from 1855 to 1904.

Illustrated Official Journal from October, 1905, to date.

Australia.

The Official Journal of Patents from 1905 to date.

Books and Documents open to Inspection at Patent Office, Wellington.

THE following documents and books are open to public inspection at the Patent Office:—

PATENTS.

(Fee for each search or inspection, not exceeding one hour, 1s.)

1. The files relating to all applications for letters patent in respect of which complete specifications have been accepted.
2. Classified copies of specifications and drawings, with index and key (a).
3. Register of Applications for Letters Patent.
4. Register of Patents.
5. Register of Subsequent Proprietors of Letters Patent (b).
6. Index of Patentees (c).
7. Index of Proprietors of Letters Patent granted prior to 1890 (d).
8. Index of Specifications (e).

DESIGNS.

(Search fee, 1s. each quarter of an hour.)

1. Register of Designs, with Index of Names of Proprietors.
2. Classified Representations of Designs in respect of which Copyright has expired.
3. Index of Designs.

(a) Key is in card index.

(b) This Register contains only names of subsequent proprietors of letters patent granted prior to 1st January, 1890; since that date they appear in Register of Patents.

(c) Includes all names of applicants, &c., and consists of four volumes to 4th November, 1903, and card index since that date. A separate card index is kept for current quarter.

(d) The names of proprietors of subsequent letters patent appear in the Index of Patentees.

(e) Contains classified abridgments of specifications from 1861, with extracts from drawings from July, 1904.

TRADE MARKS.

(Search fee, 1s. each quarter of an hour.)

1. The files relating to all applications for registration of trade marks.
2. Register of Applications for Registration of Trade Marks.
3. Register of Trade Marks.
4. Index of Applicants for Registration of Trade Marks^(a).
5. Index of Trade Marks.
6. Classified Representations of Trade Marks, with indexes.

MISCELLANEOUS.

Register of Patent Agents.

FORMS AND PUBLICATIONS.

The following forms, &c., may be had on application at the Patent Office, Wellington, or at any of the local Patent Offices named below:—

- Application for letters patent.
- Provisional specification.
- Complete specification and copy thereof.
- Application for registration of design.
- Application for registration of trade mark.
- Applications for extension of time.
- Requests by subsequent proprietor to enter name on Register of Patents and Trade Marks.
- Printed sheets of information as to fees and procedure to obtain letters patent and to register a trade mark^(b).
- Pamphlet containing Act and Regulations (price 1s.).

^(a) Names of applicants for registration and proprietors of trade marks are indexed at the beginning of the Registers up to 31st December, 1889; in separate volume up to 5th September, 1904; and since the latter date in card index.

^(b) May also be obtained at any local Patent Office or money-order office.

Books, Documents, &c., open to Inspection at Local Patent Offices, Auckland, Christchurch, and Dunedin.

BOOKS, documents, &c., open to inspection, and forms, &c., procurable, at the local Patent Offices at Auckland, Christchurch, and Dunedin.

BOOKS, ETC., OPEN TO INSPECTION.

Complete specifications and drawings of inventions. (Note.—One set of the specifications and drawings is sent, on acceptance, to Auckland, Christchurch, and Dunedin in succession, remaining fourteen days at each place, as advertised in the *Gazette*. Search fee, 1s. per hour.)

Classified abridgments of inventions from 1st January, 1908, to 31st March, 1909. (Search fee, 1s.)

Weekly lists of applications for patents up to and including those filed on Friday may be seen on the following Monday. (Search fee, 1s.)

Name Index—Patents, 1861–1889. (Search fee, 1s.)

Annual Reports, containing alphabetical lists of applicants and subject-matter indexes since 1890.

Patents Supplement to the *New Zealand Gazette*.

Patents, Designs, and Trade Marks Act and Rules.

Acts and Rules of other countries.

Australian Official Journal of Patents.

FORMS, ETC., OBTAINABLE.

The following forms, &c., may be obtained on application:—

- Applications for letters patent.
- Provisional specification.
- Complete specification, and copy thereof.
- Application for registration of design.
- Application for registration of trade mark.
- Applications for extension of time.
- Requests by subsequent proprietor to enter name on Register of Patents and Trade Marks.
- Printed sheets of information as to fees and procedure to obtain letters patent and to register designs and trade marks. Act and Regulations. (Price, 1s. 6d.)

NOTE.—The classified abridgments of the specifications and drawings of the United Kingdom may be seen in the Public Library of each of the above three principal towns. Other publications will be placed on file as soon as they are available.

Specifications of Inventions Open to Inspection.

COMPLETE specifications and drawings of inventions may be seen on acceptance at the Patent Office, Wellington, and are also available for inspection for a fortnight at the local Patent Offices at Auckland, Christchurch, and Dunedin.

Lists giving names of applicants and titles of inventions may be obtained for posting in factories, libraries, technical schools, or other places where they are likely to be seen by persons interested, on application to the Registrar of Patents, Wellington.

Official Publications.

THE following publications may be obtained from the Government Printer, Wellington:—

Printed specifications to the end of the year 1879. (Some of these are now out of print.)

Annual lists of letters patent and letters of registration applied for, and particulars of applications lapsed, and patents lapsed, from 1880 to 1893 inclusive. (The lists for the last four of these years are contained in the *Annual Reports of the Registrar*.)

Annual reports of the Registrar, containing alphabetical indexes of applicants for letters patent and of subject-matter of inventions patented from 1894 to 1907 inclusive.

The Patents Supplement to *Gazette* (containing notifications, applications for letters patent, abridged descriptions and drawings of inventions, &c.), published fortnightly.

Name Index of Patents, &c., 1861–1890. (Price, 1s.)

Local Patent Offices.

LOCAL Patent Offices for the reception of applications, supply of forms, &c., have been established at the following places:—

- Auckland—Supreme Court. (E. W. Cave, agent.)
- Whangarei—Courthouse. (W. J. Reeve, agent.)
- Thames—Courthouse. (J. Jordan, agent.)
- Waihi—Courthouse. (J. McIndoe, agent.)
- Hamilton—Courthouse. (H. J. Dixon, agent.)
- Gisborne—Courthouse. (G. J. A. Johnstone, agent.)
- New Plymouth—Courthouse. (J. Terry, agent.)
- Napier—Courthouse. (A. Trimble, agent.)
- Wanganui—Courthouse. (C. A. Barton, agent.)
- Taihape—Courthouse. (W. Baker, agent.)
- Palmerston North—Courthouse. (C. J. Hewlett, agent.)
- Masterton—Courthouse. (M. Foley, agent.)
- Nelson—Courthouse. (E. C. Kelling, agent.)
- Blenheim—Courthouse. (F. W. Hart, agent.)
- Westport—Courthouse. (O. E. Bowling, agent.)
- Greymouth—Courthouse. (B. Harper, agent.)
- Hokitika—Courthouse. (J. N. Nalder, agent.)
- Christchurch—Supreme Court. (W. W. Samson, agent.)
- Ashburton—Courthouse. (J. Fitzgerald, agent.)
- Timaru—Courthouse. (T. W. Tayler, agent.)
- Oamaru—Courthouse. (A. A. Mair, agent.)
- Dunedin—Supreme Court. (T. E. Roberts, agent.)
- Clyde—Courthouse. (F. T. D. Jeffery, agent.)
- Gore—Courthouse. (G. H. Lang, agent.)
- Queenstown—Courthouse. (A. J. Thompson, agent.)
- Invercargill—Courthouse. (J. R. Colyer, agent.)

Office for Registration of Copyright.

THE office for the registration of proprietorship of copyright in Fine Arts and Dramatic Works has been transferred to the Patent Office, Magistrate's Court Building, corner of Lambton Quay and Ballance Street, Wellington.

Applications for Letters Patent filed.

LIST of applications for Letters Patent filed. (Where a complete specification accompanies an application an asterisk is affixed; in all other cases a provisional specification has been lodged. In all cases where the applicant is not the inventor the name of the latter appears in italics after the title. † Denotes an application under the International and Intercolonial Arrangements.)

- No. 26216.—12th July.—H. F. Vosseler, Wellington, N.Z.
Screw-cutting timing-gear for turning-lathe.
- No. 26217.—12th July.—J. Thomson, Waiuku, N.Z.
Two-horse equaliser.
- No. 26218.—12th July.—H. Irwin, Tikokino, N.Z.
Nest-box for poultry.
- No. 26219.—12th July.—L. G. Grace, Hawera, N.Z.
Vacuum motor.

- No. 26220.—10th July.—J. F. Macallister, Timaru, N.Z.
Milk-jug cover.
- No. 26221.—12th July.—W. F. Draffin, Wanganui, N.Z.
Draught-regulator for grate.*
- No. 26222.—12th July.—M. Routley, Wellington, N.Z.
Tag-label making and printing machine.
- No. 26223.—12th July.—G. Hutchinson, Christchurch, N.Z.
Scales.
- No. 26224.—12th July.—Trist and Small, Christchurch, N.Z.
Horse-leg hobble.
- No. 26225.—13th July.—J. Stuart-Edward, Spreydon, N.Z.
Cultivating and ploughing implement.
- No. 26226.—8th July.—A. and W. Bennet, Dunedin, N.Z.
Wheel-utter for plough.*
- No. 26227.—13th July.—H. J. O'Neil, Jamieson, Vic.
Horse and cattle rug.
- No. 26228.—13th July.—J. C. Handcock, Perth, W.A.
Boot-heel pad and plate.
- No. 26229.—13th July.—G. V. Barton, Liverpool, Eng.
Salts or oxides of lead.*
- No. 26230.—13th July.—M. Hurley, Christchurch, N.Z.
Potato-planter.*
- No. 26231.—13th July.—C. Tandy, Wellington, N.Z.
Grate, range, &c.
- No. 26232.—13th July.—H. J. Schmidt, Auckland, N.Z.
Photography.*
- No. 26233.—13th July.—W. Dunn, Christchurch, N.Z.
Stove or range protector.
- No. 26234.—14th July.—W. F. Johns, Waharoa, N.Z.
Releasing holder for lift-door.
- No. 26235.—12th July.—H. H. Adams, Auckland, N.Z.
Ferro-concrete former.
- No. 26236.—15th July.—A. E. Foothed and W. Harwood, Lower Hutt, N.Z.
Button clip or holder.
- No. 26237.—9th July.—R. Grimwood, Winton, N.Z.
Grain-milling machine.
- No. 26238.—14th July.—H. Dunn, Jeppestown, Transvaal.
Disposing of sand, &c., on mine-dumps, &c.
- No. 26239.—14th July.—G. A. Sheeley and E. A. Tomlinson, Johannesburg, Transvaal.
Linings of tube mills.*
- No. 26240.—14th July.—C. F. Lungley, Albert Park, Vic.
Torpedo and engine therefor.
- No. 26241.—14th July.—L. G. F. Spry, Melbourne, Vic.
Candle-extinguisher.
- No. 26242.—14th July.—W. A. Chambers and W. H. Booth, Waipukurau, N.Z.
Gas-production.*
- No. 26243.—14th July.—E. H. A. Lambert, Sydney, N.S.W.
Support for sheep during transportation, &c.*
- No. 26244.—12th July.—E. de Cossey, Ellerslie, N.Z., and J. Williams, Penrose, N.Z.
Brake.
- No. 26245.—16th July.—R. C. Gardner, Huiroa, N.Z.
Vacuum controller.*
- No. 26246.—17th July.—F. W. Engelbrecht, West Oxford, N.Z.
Mixing grain-seed, &c.
- No. 26247.—19th July.—H. A. Cutmore, London, Eng.
Closure device for telephone-mouthpiece.
- No. 26248.—19th July.—J. Hutchings, London, Eng.
Pumping machinery.*
- No. 26249.—22nd July, 1908.†—J. C. Snelling, Mitcham, Eng.
Building-slab mould.*
- No. 26250.—19th July.—G. Lezinsky, New York, U.S.A.
Explosive compound.*
- No. 26251.—19th July.—G. Schauli, London, Eng.
Electric battery.*
- No. 26252.—19th July.—H. North, Wellington, N.Z.
Bedstead.
- No. 26253.—25th November, 1908.†—G. E. Smith, Wellington, N.Z.
Rubber footwear.*
- No. 26254.—19th July.—D. M. MacGoun, Dunedin, N.Z.
Phonograph.
- No. 26255.—20th July.—W. F. Munn, Sydney, N.S.W.
Sporting-boot.
- No. 26256.—20th July.—H. C. L. Rolfe, Melbourne, Vic.
Carburettor.*
- No. 26257.—20th July.—D. S. Mackenzie, Levin, N.Z.
Dental filling apparatus.
- No. 26258.—20th July.—G. W. Davies, Wellington, N.Z.
Raising temperature of gases.
- No. 26259.—17th July.—R. Thomas, Auckland, N.Z.
Billiard game.
- No. 26260.—17th July.—J. Bate, Auckland, N.Z.
Washing flax-fibre, &c.
- No. 26261.—17th July.—R. L. H. Murray, Auckland, N.Z.
Acetylene-gas generator and holder.*
- No. 26262.—22nd July.—A. C. Murray, Timaru, N.Z.
Ironing-table.
- No. 26263.—19th July.—C. Young, Evansford, Vic.
Draft collar for animals.
- No. 26264.—19th July.—O. B. Elliott, Auckland, N.Z.
Fire-alarm.
- No. 26265.—17th July.—A. J. Whiteside, Whangamarino, N.Z.
Flax-fibre handling.
- No. 26266.—17th July.—W. S. Ramson, Auckland, N.Z.
Baby's safety strap.
- No. 26267.—22nd July.—W. Read, Ohau, N.Z.
Egg-carrier.*
- No. 26268.—22nd July.—Australian Reversible Delivery Label Company Proprietary, Limited, Melbourne, Vic.
Mail-bag and delivery label.* (J. G. Reilly.)
- No. 26269.—22nd July.—United Shoe Machinery Company, Paterson, U.S.A.
Fastener-inserting machine. (G. Goddu and F. L. MacKenzie.)
- No. 26270.—22nd July.—United Shoe Machinery Company, Paterson, U.S.A.
Turn-shoe re-forming machine. (A. Bates and H. E. Cooper.)
- No. 26271.—7th December, 1908.†—J. M. Lynch, Beverly, U.S.A.
Making dies.*
- No. 26272.—22nd July.—T. Brown, Waterside, Coalgate, N.Z.
Stone-gathering machine.
- No. 26273.—22nd July.—E. Potts, Dannevirke, N.Z.
Tool-holder.
- No. 26274.—22nd July.—H. C. Ittershagen, Subiaco, W. Australia.
Cooking-box.
- No. 26275.—22nd July.—W. Smart, Christchurch, N.Z.
Broom.*
- No. 26276.—23rd July.—W. T. Taylor, Wellington, N.Z.
Coal-dredging grab and bucket.
- No. 26277.—19th July.—J. Deegan, Invercargill, N.Z.
Lock for traction-engine gear.
- No. 26278.—23rd July.—E. C. Austin, Wanganui, N.Z.
Tire-valve.
- No. 26279.—23rd July.—G. Lewis, Napier, N.Z.
Plaster-slab joint.
- No. 26280.—22nd July.—C. Suttie, Waharoa, N.Z., and M. H. Wynyard, Auckland, N.Z.
Flax-catcher.
- No. 26281.—24th July.—J. H. Pedersen, Utiku, N.Z.
Potato-peeler.*
- No. 26282.—24th July.—H. W. Smith, Auckland, N.Z.
Manure-sower.*

Complete Specifications filed after Provisionals.

LIST of complete specifications filed after provisional specifications, from the 10th to the 24th July, 1909, inclusive:—

- No. 24910.—D. Taylor, file.
- No. 24921.—R. B. Williams, mop-wringer.
- No. 24943.—R. McGaffin, flax-catcher.
- No. 25060.—R. J. McDonald, shoe.
- No. 25066.—J. Gray, wheel-lubricator.
- No. 25073.—L. M. M. Monteath, flax-preparation.
- No. 25075.—W. P. S. Macgregor and E. C. Reid, wire-strainer.
- No. 25093.—J. C. Oliver, colander.
- No. 25098.—R. Meek and O. Elliott, billiard-table.
- No. 25099.—W. Burrell, rabbit-crate.
- No. 25107.—E. W. Hursthouse, lamp-pillar.
- No. 25108.—E. W. Hursthouse, steam cooking-apparatus.
- No. 25118.—S. D. McMiken, metallurgical furnace.
- No. 25171.—J. Macmeikan, meat, &c., cooling process. (R. Rayson.)
- No. 25200.—United Shoe Machinery Company, resurfacing beds of presses. (A. Bates.)
- No. 25201.—United Shoe Machinery Company, tool-controlling mechanism. (F. B. Keall.)
- No. 25203.—United Shoe Machinery Company, inseam-trimming machine. (A. Bates.)
- No. 25228.—C. G. C. Whyte and A. Rau, manifold copying-book.
- No. 25262.—F. H. Jackson, scythe-handle grip.
- No. 25566.—A. Findlay, device for drawing off beer. (W. P. Rodda.)
- No. 25837.—P. Bitossi, blotting-pad composition.

Notice of Acceptance of Complete Specifications.

Patent Office,
Wellington, 28th July, 1909.

COMPLETE specifications relating to the undermentioned applications for Letters Patent have been accepted, and are open to public inspection at this office. Any person may, at any time within two months from the date of this *Gazette*, give me notice in writing of opposition to the grant of any such patent. Such notice must set forth the particular grounds of objection, and be in duplicate. A fee of 10s. is payable thereon.

No. 24700.—18th July, 1908.—ARTHUR HARRY WRIGHT, of Dunedin, New Zealand, Commercial Traveller. Improved advertising-apparatus.*

Claims.—(1.) An apparatus serving for displaying advertisements and as an article of furniture, characterized by the provision of means for displaying tabulated or indexed lists of directory and other tabulated or indexed information, comprising bands passing over rollers and adapted to display said lists through windows or the like, means being provided for rotating said rollers. (2.) An apparatus serving for displaying advertisements and supplying directory information in accordance with claim 1, having either its front and rear faces constituted either by a hall-stand or writing-desk. (3.) An apparatus in accordance with the preceding claims characterized by the provision therein of suitable coin-in-slot-operated mechanism for the purpose specified. (4.) An apparatus in accordance with the preceding claims characterized by the provision of means for giving general information, such as clocks, barometers, train arrival or departure indicating discs, thermometers, and the like. (5.) The apparatus having its various members constructed, arranged, and adapted to operate substantially as described with reference to the drawing for the purpose specified.

(Specification, 9s. 9d. ; drawing, 2s.)

No. 24734.—29th July, 1908.—WALTER SEIFERT and WILLIAM CAMPBELL, both of Takapau, New Zealand. Improved apparatus for the treatment of flax and like fibres.*

Claims.—(1.) In the treatment of flax, means for feeding the blades to scutchers or washers, and for holding them while being treated therein, the same consisting of a travelling chain and a fixed board along the surface of which the chain is arranged to travel, and which is so fixed as to bear longitudinally against such chain, substantially as specified. (2.) In the means for the treatment of flax described in claim 1, the combination therewith of an inclined bar arranged longitudinally with the chain and extending from beneath to above the level thereof, substantially as and for the purposes specified. (3.) In the means for the treatment of flax described in claim 1, the combination with the travelling chain of a bar or bars arranged longitudinally along beneath it, substantially as and for the purposes specified. (4.) In the treatment of flax, means for scutching and washing the fibre after stripping, consisting of a pair of scutching-machines arranged with the tops of their concaves parallel and adjacent to each other, and with their drums rotating down over the concave surfaces, and means whereby the fibre may be suspended and carried along above the adjacent ends of the concaves so that the suspended ends may be caused to pass in from the sides of the respective concaves and be carried across the surfaces thereof, substantially as specified. (5.) In the treatment of flax, the combination with a pair of scutching-machines arranged with the tops of their concaves parallel and adjacent to each other, of a travelling chain passing longitudinally along above such adjacent ends, and a fixed board extending longitudinally parallel with the chain and arranged to press against it, substantially as specified.

(Specification, 4s. 6d. ; drawing, 1s.)

No. 24915.—12th September, 1908.—THOMAS BARTON, of Hamilton, New Zealand, House-furnisher. Improvements in easy-chairs.*

Claims.—(1.) An easy-chair characterized by having a back pivotally supported within the chair-frame, and a seat loosely carried within the frame, supported at its front end upon a cross-bar thereof and connected at its rear end with the bottom of the chair-back, by means of link connections, substantially as specified. (2.) The improvements in easy-chairs, substantially as described and explained, and as illustrated

in Figs. 1 and 2 of the drawings. (3.) The improvements in easy-chairs, substantially as described and explained, and as illustrated in Figs. 3 and 4 of the drawings.

(Specification, 3s. ; drawing, 1s.)

No. 24928.—12th September, 1908.—ROBERT WALKER, of Dunedin, New Zealand, Tinsmith. Improved strainer for milk, water, and the like.*

Extract from Specification.—In operation the fluid is poured from the pail on to the conical shedder (5), whence it descends into the receptacle without splashing, and the weight of the fluid above the discharge-outlet forces the portion below upwardly through the straining medium at the base of the cone (5) and thence through the discharge-outlet.

[NOTE.—The above extract from the specification is inserted in place of the claims.]

(Specification, 2s. 9d. ; drawing, 1s.)

No. 24933.—17th September, 1908.—UNITED SHOE MACHINERY COMPANY, of Paterson, in the State of New Jersey, United States of America, a corporation duly organized under the laws of the said State of New Jersey, carrying on business as Shoe-machinery Manufacturers, and having a place of business at 205 Lincoln Street, Boston, Massachusetts, United States of America (assignees of Arthur Ernest Jerram, Joseph Gouldbourn, and Arthur Bates, Engineers, all of Leicester, England). Improvements in or relating to horns or work-supports for use in machines employed in the manufacture of boots and shoes.*

Claims.—(1.) In a machine for use in the manufacture of boots and shoes, the combination with the horn of a pedal-actuated member (such, for example, as 30 or 48) that first raises the horn to exert upon the work a light yielding pressure, and then continues the movement to exert a heavier pressure, with or without connections between the said member and a starting-device to start the machine after the heavy pressure has been applied. (2.) In a machine for use in the manufacture of boots and shoes, the combination with a member (such, for example, as 30 or 48) operated by a pedal or otherwise of a locking-device and different yielding-devices (for example, 58 and 74) in such manner that the member first applies a thrust to the horn through one of the yielding-devices, next engages the locking-device with the horn, and finally imparts through the other yielding-device and the locking-device a heavier thrust to the said horn. (3.) In a machine characterized by the combination claimed in preceding claiming clause No. 1 or No. 2, the employment of a toggle or like device which not only operates the member (such, for example, as 48), but assumes a position in which it can prevent the transmission of back pressure to the part by which the said member was operated.

[NOTE.—Here follow eleven other claims.]

(Specification, £1 1s. ; drawing, 3s.)

No. 25133.—28th October, 1908.—EDWARD WILLIAM COLEMAN, of 22 The Embankment, Twickenham, England, Mechanic. Improvements in driving-gear for hand-, foot-, or power-driven machinery.*

Claims.—(1.) A driving-gear comprising two driven wheels provided with free-wheel devices operating in opposite directions to effect the rotation of the driven shaft and a common driving member, substantially as described. (2.) A driving-gear substantially as described with reference to the drawings.

(Specification, 2s. 3d. ; drawing, 1s.)

No. 25160.—31st October, 1908.—JACOB CHARLES RUSSELL, of Ohio Road, Brooklyn, Wellington, New Zealand, Superintendent Overhead Line, and ALBERT FREDERICK LORD, of Todman Street, Brooklyn aforesaid, Line Inspector. An improved splicing-ear for electricity-conductors.*

Claims.—(1.) A splicing-ear made in sections, so constructed that when joined together they form a horizontal groove, leading into a diagonally inclined cable-hole, substantially as described, and as illustrated in the drawings. (2.) In a splicing-ear as set out in claim 1, a renewable runner slotted at each end so as to fit the cable, and of same diameter as the cable for which the ear is intended, secured to the lower part of one of the sides, substantially as described, and as illustrated in the drawings.

(Specification, 3s. ; drawing, 1s.)

No. 25165.—2nd November, 1908.—JACOB CHARLES RUSSELL, of Ohio Road, Brooklyn, Wellington, New Zealand, Superintendent Overhead Lines, and ALBERT FREDERICK LORD, of Todman Street, Brooklyn aforesaid, Line Inspector. An improved section insulator for electric tramways.*

Claims.—(1.) In a section insulator having a body portion of a non-conducting material, brackets on each end, having ears on each side, insulated tension-bolts connecting the ears of the two brackets, each bracket having a projecting web fitting a longitudinal slot in the renewable runner, and being provided with a curved recess for the cable which passes through the bracket over a curved shoulder, and secured by a clip, substantially as described, and illustrated in the drawings. (2.) In a section insulator as set out by claim 1, a renewable middle runner with an air gap between it and each end bracket, secured to the insulated body portion of the section insulator, substantially as described, and illustrated in the drawings.

(Specification, 4s. 6d. ; drawing, 1s.)

No. 25206.—11th November, 1908.—JOSEPH LOMAS, of Southbridge, Tasmania, Australia, Orchardist. An improved apparatus for grading apples and suchlike fruit.*

Claims.—(1.) The general arrangement, construction, and combination of parts constituting my improved apparatus for grading apples and suchlike fruit, substantially as described and operating in the manner set forth. (2.) A number of longitudinal parallel races, each being open in its base, which openings increase gradually in width from the head towards the foot of the machine, in combination with a plurality of perforated endless moving bands or belts that are in brushing contact with the bases of the races, and means for conveying the fruit away from the belts after passing through the same, as described. (3.) The combination with a plurality of longitudinal parallel partitions and diminishing fillets thereon of a system of perforated endless moving belts in brushing contact therewith, and conductors arranged to convey the fruit away from the belts after it has passed through the perforations, as specified. (4.) The combination of parallel partitions longitudinally arranged with diminishing fillets attached, and having raised portions at intervals along their upper edges to which transverse plates, as 10, are secured, a system of perforated endless belts, and means for moving the same, and means for conveying the graded fruit from the belts, all as and for the purposes specified.

(Specification, 5s. 6d. ; drawing, 2s.)

No. 25544.—14th June, 1909.—MAX MEDERER, of Bloemfontein, Box 541, Orange River Colony, Tile-manufacturer. Improved cooling-chamber.

Claims.—(1.) A storage structure provided with perforated walls, and means for moistening said walls. (2.) A storage structure embodying a perforated floor, and means for moistening the floor. (3.) A storage structure embodying a chamber the walls of which have apertures extending therethrough, and the floor of which is formed with air-passages, and means for moistening said walls and floor. (4.) A storage structure embodying a walled chamber, the walls being formed with apertures extending therethrough, the apertures being transversely staggered, whereby to prevent light-shafts from entering the chamber.

[NOTE.—Here follow twelve other claims.]

(Specification, 8s. 6d. ; drawing, 3s.)

No. 25900.—29th April, 1909.—PETER DIEDRICH HINRICH OHLHAVER, of Sande, near Bergedorf, Germany, Manufacturer of Milking-machines. Milking-machine.

Claim.—The arrangement in a milking-machine of a separate suction pump for each two teats in such way that the milk flows through the pump.

(Specification, 3s. 3d. ; drawing, 1s.)

No. 25901.—29th April, 1909.—PETER DIEDRICH HINRICH OHLHAVER, of Sande, near Bergedorf, Germany, Manufacturer of Milking-machines. Milking-machine.

Claim.—Milking-machine in which for each single teat or each pair of teats a separate pump is arranged, characterized by the feature that the suction-pipe of the pump is closed by a ball-valve (g) of indiarubber, wood, steel, or the like.

(Specification, 4s. ; drawing, 2s.)

No. 25902.—3rd May, 1909.—LAURA MELVA, of St. Kilda, Melbourne, Australia. An improved hat-pin.

Claims.—(1.) In hat-pins of the class described, a removable knob or head provided with a tube extending inwards into it, a pair of slots formed in the wall of such tube, and arranged opposite to each other, and a spring wire clip having two members adapted to pass longitudinally into such slots, and to extend across the internal space of the tube, substantially as specified. (2.) In hat-pins of the class described, a removable knob or head constructed as described in claim 1, in combination with a groove formed around the pin's periphery, and adapted to receive the spring members, substantially as specified.

(Specification, 2s. 3d. ; drawing, 1s.)

No. 25936.—12th May, 1909.—GEORGE EDWARD ANDREW, of Ormond, Victoria, Australia, Manager, and SYDNEY WALTER LACK, of 59 St. Vincent Place, Albert Park, Victoria aforesaid, Engineer. An improved jointing-material for cans containing foodstuffs.

Claims.—(1.) An improved means for making an airtight joint between the cover and body of tin or thin sheet-metal vessels consisting in coating the meeting parts of the joint with either of the mentioned finely pulverised odourless compounds, then drying the latter while thereon, and afterwards curling or rolling the two meeting parts closely together, substantially as described. (2.) Making the joint between the rim parts of the body and cover of tins or thin sheet-metal vessels airtight by first coating said parts with flour or with a pasty flour compound, and then, if necessary, dusting dry flour thereon and afterwards curling the rim parts firmly together, substantially as described. (3.) An improved means for making an airtight joint between the stopper and neck opening or mouth of bottles, jars, and the like, consisting in coating the meeting surfaces of the stopper and neck opening with either of the adhesive odourless pasty compounds, substantially as described.

(Specification, 3s. 6d.)

No. 25945.—13th May, 1909.—JAMES JOSEPH BLOCKLEY, of Fitzherbert Street, Palmerston North, New Zealand, Plumber and Tinsmith. Improvements in ventilators, chimneys, and flue-pots.

Claims.—(1.) The ventilator and chimney or flue-pot comprising in combination frustum of cone, cone dished outwards, duplicate straight and tapered windguards, substantially as described, and by illustrations. (2.) The ventilator and chimney or flue pot comprising in combination part-cone, full-cone, windguards mounted on vent-shaft suitably held in position by supports, substantially as described, and by illustration. (3.) The ventilator and chimney or flue pot comprising in combination part-cone, full-cone, windguards mounted on vent-shaft suitably held in position by supports, perforated top to windguard, rubbish-excluder fitted within perforated top, substantially as described, and by illustrations.

(Specification, 2s. ; drawing, 2s.)

No. 26011.—1st June, 1909.—ALEXANDER ALBERT HOLLE, of Haere House, Olst, Holland, Gentleman. Improvements in steam and other fluid engines.

Claims.—(1.) A reciprocating steam or other fluid engine having a plurality of cylinders, in which the steam is admitted to each cylinder when the piston of said cylinder has completed about one-half of its working-stroke, and is immediately cut off again so that it acts on the pistons by impact only, as set forth. (2.) In a steam-engine of the type specified in claim 1, means for advancing the time the admission-valves are opened for the admission of steam to the cylinders without varying the time said valves are closed.

[NOTE.—Here follow three other claims.]

(Specification, 5s. ; drawing, 2s.)

No. 26018.—1st June, 1909.—JOSEPH HAY AMES, of 3107 Columbia Avenue, Philadelphia, Pennsylvania, United States of America, Engineer. Improvements in and relating to method of making a composition for paving, flooring, and like purposes, and method of laying same.

Claim.—(1.) The method of making a composition which consists in taking metallic, mineral, earthy, or fibrous materials, coating these materials with a light oil or alcohol, then mixing said coated materials with asphaltic or other bituminous, resinous, or carbonaceous matter, separately or combinedly, which may contain a fluxing element, then mixing with the above mass calcium-oxide or calcium-hydrate, or other alkaline or toughening or hardening substances, and then mixing dampened sand, or the like, with the resultant composition, and immediately agitating the same until cool, to secure a granular and friable condition thereof, substantially as and for the purposes set forth.

[NOTE.—Here follow three other claims.]

(Specification, 5s. 6d.)

No. 26025.—4th June, 1909.—JOHN WILSON BROWNLEE, of Havelock, New Zealand, Sawmiller. Improved feed-gear for breast saw-benches.

Claims.—(1.) In saw-bench feed-gear, friction-wheels upon the saw-spindle and two friction-wheels loosely mounted upon the rear-feed roller-spindle, geared with the respective wheels upon the saw-spindle in such a manner as to be rotated in reverse directions, and clutch mechanism upon the feed-roller spindle adapted to be moved into engagement with either of the wheels upon such spindle, substantially as and for the purposes specified. (2.) The improved feed-gear for breast saw-benches, substantially as described and explained, as illustrated in the drawings, and for the purposes set forth.

(Specification, 2s. 6d. ; drawing, 1s.)

No. 26037.—7th June, 1909.—THOMAS BALLINGER AND CO., of Victoria Street, Wellington, New Zealand, Plumbers (assignees of Alwin Fischer, of O'Connell Street, North Adelaide, South Australia, Plumber). An improved acetylene-gas generator.

Claims.—(1.) In an acetylene-gas generator having a bell and water tank, of a dome of small capacity surmounting the dome and open at the bottom to the bell, substantially as set forth. (2.) In an acetylene-gas generator having a bell and water tank, of a purifier surmounting the gas-supply pipe of the retort, whereby the gas is passed through the water before entering the bell above the surface of the water, substantially as set forth. (3.) In an acetylene-gas generator having a bell and water tank, of a purifier comprising a cylinder fitting loosely upon the end of the gas-supply pipe of the retort, and a float attached to the cylinder, substantially as set forth.

[NOTE.—Here follow seven other claims.]

(Specification, 5s. ; drawing, 1s.)

No. 26040.—16th February, 1909.—ALFRED WILLIAM CARPENTER, of 28 Bedford Street, Strand, London, England, Banker. Improvements in or relating to the manufacture of elastic or resilient tires.

[NOTE.—This is an application under the International and Intercolonial Arrangements, the date given being the official date of the application in Great Britain.]

Claim.—(1.) The manufacture of elastic or resilient tires consisting in partially vulcanising a tubular core of resilient material such as soft rubber, joining the said core, then again partially vulcanising the circular core, serving or covering the latter with a winding under tension of a suitable number of successive layers of partially vulcanised india-rubber in strip or tape form, and subjecting the whole structure in a finishing-mould to a heat of approximately 280° Fahr., substantially as described for the purposes specified.

[NOTE.—Here follow four other claims.]

(Specification, 5s. 6d. ; drawing, 1s.)

No. 26043.—8th June, 1909.—JOHN ROBERT REDSTONE, of Gisborne, New Zealand, Livery-stable Keeper. An improved drench for horses and the like.

Claims.—(1.) The described drench, consisting of sulphuric ether, tincture of opium, raw linseed-oil, and tincture of asafetida, substantially as described and for the purpose specified. (2.) The described drench, consisting of sulphuric ether five drams, tincture of opium six drams, raw linseed-oil nine drams, tincture of asafetida five drams, substantially as described.

(Specification, 1s.)

No. 26045.—7th June, 1909.—IGNACY MOSCICKI, of Freiburg, Switzerland, Electrician. Improvements in method of and apparatus for treating gases or vapours by liquids.

Claims.—(1.) Method of treating gases or vapours by liquids consisting in passing the gases or vapours to be treated through a layer of filling-material composed of particles of small size, and moistened with a liquid flowing in the direction from top to bottom in such a way that the distance of the passage of the gases or vapours through the filling-material is considerably smaller than the height of the layer of said filling-material. (2.) Apparatus for treating gases or vapours by liquids comprising a casing adapted to contain a number of layers of filling-material composed of particles of small size, means arranged at the top of said casing for moistening the layer or layers, means for discharging the moistening agent at the bottom of said casing, means for passing the gases or vapours to be treated into said casing so as to direct its flow through the said layer or layers in such a way that the distance covered by said gases or vapours in their passage through the layer or layers is less than the total height of said layer or layers, and means to permit the escape of the gases or vapours not retained by the moistening agent in the said layer or layers.

[NOTE.—Here follow two other claims.]

(Specification, 9s. ; drawing, 3s.)

No. 26070.—11th June, 1909.—GEORGE HALL, of Lepperton, New Zealand, Builder, and ISABEL AGNES WORTHINGTON, of Waitara, New Zealand, Married Woman. An improved mould for making reinforced-concrete fencing-posts.

Claim.—In a mould for making reinforced-concrete fencing-posts, a mould made of galvanised iron, U-shaped in section, having a top or lid of wood or other suitable material which has a series of fillets fixed to its under-side to form grooves in the face of the post to receive the fence-wires, substantially as shown and described.

(Specification, 1s. 9d. ; drawing, 1s.)

No. 26074.—15th June, 1909.—ALMON K. VIRGIL, of 52 West 80th Street, New York, United States of America, Instructor in Music. Exercising-keyboard for musicians.

Claims.—(1.) In an exercising-apparatus, in combination with a series of keys, a click-producing device consisting of a spur operatively mounted on the key, a click-rail extending below the key and mounted to move in a channel, said click-rail bearing a metal bar co-operating with the spurs of the keys, springs for holding said click-rail in its groove and means for raising and lowering said rail. (2.) In an exercising-apparatus in combination with a series of keys bearing one member of a click device, a click-rail extending below the key and mounted to slide in a groove, said click-rail bearing a hard or metallic plate to co-operate with the click-members of the keys, a series of cam-openings formed in the body of the click-rail, a series of cams located in the grooves and co-operating with the cam-openings, and a series of springs arranged on opposite sides of the rail-groove and operatively connected with the click-rail to hold the latter within the groove with the cams and cam-openings in contact.

[NOTE.—Here follow seven other claims.]

(Specification, 12s. 6d. ; drawing, 3s.)

No. 26077.—16th June, 1909.—AUGUSTUS ROSENBERG, of 259 High Holborn, London W.C., England, Engineer. Process of and means for depositing metals upon metallic surfaces.

Claims.—(1.) The described process of depositing a metal upon a metallic surface consisting in the frictional application to said surface in the presence of moisture of a mixture

of pulverulent materials which comprises as its essential active ingredients the metal to be deposited, either in the elementary or in the combined state, an electro-positive metal of the kind referred to, and a substance which is capable of yielding, in conjunction with moisture, an aqueous electrolyte, a portion at least of such electro-positive metal being present in the elementary state. (2.) For preventing deterioration of a mixture of materials of the kind referred to, the employment, in combination therewith, of materials of the kind and in the manner specified. (3.) The employment, in a mixture of pulverulent materials for depositing a metal upon a metallic surface (in conjunction with an electro-positive metal of the kind referred to and a substance capable of yielding, in conjunction with moisture, an aqueous electrolyte), of the elementary form of the metal to be deposited. (4.) As a new article of manufacture for depositing a metal upon a metallic surface, a mixture of pulverulent materials comprising the metal to be deposited, either in the elementary or the combined form, an electro-positive metal of the kind referred to and partly or wholly in the elementary form, a salt, and a substance capable of preventing the absorption of atmospheric or similar small quantities of moisture. (5.) In a deposition-process performed with the aid of a mixture of pulverulent ingredients comprising an electro-positive metal, the employment in conjunction therewith of described means for protecting such electro-positive metal against oxidation or other premature chemical action.

(Specification, 13s. 6d.)

No. 26079.—16th June, 1909.—WILHELM ALEXANDER FELIX BLEECK, care of Isles, Love, and Co., of 284 and 286 Queen Street, Brisbane, Queensland, Australia, Electrician. Improvements in primary batteries.

Claims.—(1.) A depolariser for use in primary batteries of the kind described in New Zealand Letters Patent No. 23991, of 11th February, 1908, consisting of a mixture, substantially in the proportions mentioned, of chromic acid, water, and hydrochloric acid, together with ferrous or nickel sulphate or a mixture of the two. (2.) An excitant for use in such primary batteries consisting of a solution of sodium-hydroxide to which a solution of gum-arabic has been added, substantially in the proportions and for the purpose mentioned. (3.) A double fluid primary battery consisting essentially of zinc as the positive element in an excitant consisting of a solution of sodium-hydroxide to which a solution of gum-arabic has been added, and carbon as the negative element in a depolariser consisting of a mixture of chromic acid, water, and hydrochloric acid, together with ferrous or nickel sulphate or a mixture of the two, the depolariser being separated from the excitant by a porous partition, as described.

(Specification, 3s. 6d.)

No. 26082.—16th June, 1909.—PETER JOHAN ANDERSEN, of Poukawa, Hawke's Bay, New Zealand, Station Employee. Improved means for opening and closing gates.

Claims.—(1.) For the purpose indicated, means for opening gates comprising pivoted levers, ropes, or the like attached to one end of the said levers, a locking-bar upon the gate to which the other ends of the ropes are connected and adapted to be withdrawn from a catch when the gate is being opened, a drum around which the ropes pass, and ropes upon the outer ends of the said levers adapted to be operated by hand, substantially as set forth.

[NOTE.—Here follow five other claims.]

(Specification, 5s. 3d.; drawing, 2s.)

No. 26092.—17th June, 1909.—ANDERS JOHN OSTBERG, of 10 Balston Street, St. Kilda, Victoria, Australia, Engineer. An improved method of manufacturing a substitute for leather-board.

Claims.—(1.) In a method of manufacturing a substitute for leather-board, reducing the leather waste to thin slivers, and then removing the tannic acid therefrom, as and for the purpose described. (2.) My improved method of manufacturing a substitute for leather-board, consisting in reducing leather waste to slivers about $\frac{3}{8}$ in. in thickness, removing the tannic acid therefrom, partly drying said slivers, saturating them with an adhesive composition, extracting the superfluous adhesive composition therefrom, laying the said slivers layer upon layer to constitute a sheet of a predetermined size, submitting to pressure, partly drying the sheet produced, and subsequently calendering same.

(Specification, 3s. 9d.)

No. 26104.—21st June, 1909.—WILLIAM ANGUS, of River Road, Woolston, Christchurch, New Zealand, Pump-manufacturer. Improvements in and relating to valves of hydraulic rams.

Extract from Specification.—According hereto a circular chamber has a removable perforated guide-plate at its lower end and a detachable cap at its upper end; a neck integral with the cap has lateral perforations for the flow of water; the perforated plate and the cap act as guides for a valve-spindle provided with a flanged collar, to which cushions of rubber are secured, the upper cushion being held by a lock-nut.

[NOTE.—The above extract from the specification is inserted in place of the claims.]

(Specification, 2s. 3d.; drawing, 1s.)

No. 26108.—22nd June, 1909.—HERBERT JAMES WOOD, of 187 Madras Street, Christchurch, New Zealand, Commercial Traveller. Improvements in lids of kettles.

Extract from Specification.—According hereto a lid is made with a neck closed at the top by a wooden knob, and having lateral openings below the knob; these openings are surrounded by a hood provided at one side with a spout.

[NOTE.—The above extract from the specification is inserted in place of the claims.]

(Specification, 2s. 9d.; drawing, 1s.)

No. 26113.—23rd June, 1909.—MONO SERVICE VESSELS, LIMITED, of 58 Coleman Street, London, England, Manufacturers (assignees of Elmer Zebble Taylor, of 40, 41, and 42 Percival Street, Goswell Road, London, England, Engineer). Improvements in and connected with apparatus for the manufacture of paper vessels applicable for use in the delivery of milk or cream to customers, and for other like purposes.

Claims.—(1.) The combination in a machine for the manufacture of paper vessels applicable for use in the delivery of milk or cream to customers, or for other like purposes, of means for feeding in and rolling up the blank to form the sides of such vessel, means for turning in the bottom edge thereof, means for inserting the bottom piece and securing it in position by a rolling operation, means for turning in the upper edge, means for rolling out such upper edge to the desired configuration, and means for delivering the completed vessels, substantially as specified.

[NOTE.—Here follow twelve other claims.]

(Specification, £1 6s.; drawing, 2s.)

No. 26117.—23rd June, 1909.—FRANK LLOYD, of Pitt Street, Sydney, New South Wales, Australia, Map-publisher and Advertising Specialist, and STRATFORD WEAVER, of Sheffield Street, Coburg, Victoria, Australia, Clerk. Improvements in telephone accessories.

Claims.—(1.) An engaged and disengaged telephone-indicator having an upturnable tablet supported by laterally adjustable hooked connections to the telephone so as to allow the tablet to be suspended, all substantially as described.

[NOTE.—Here follow five other claims.]

(Specification, 6s.; drawing, 1s.)

No. 26122.—23rd June, 1909.—UNITED SHOE MACHINERY COMPANY, of Paterson, in the State of New Jersey, United States of America, a corporation duly organized under the laws of said State of New Jersey, carrying on business as Shoe-machinery Manufacturers, and having a place of business at 205 Lincoln Street, Boston, Massachusetts, United States of America (assignees of John Haydn Rigby, of Lynn, Massachusetts aforesaid, Draftsman). Improvements in or relating to sole-levelling machines.

Claims.—(1.) A sole-levelling machine having, in combination, a shoe-supporting jack and a sole-levelling tool relatively movable both vertically and longitudinally, pressure mechanism for forcing one of said parts towards the other to exert pressure on the sole of the shoe, a stop to determine the proper relative vertical position of said parts when the levelling-tool is disengaged from the shoe, means for adjusting said stop to position the parts properly for different shoes, and means acting simultaneously to adjust the pressure mechanism to cause it to exert substantially the same pressure on the different shoes.

[NOTE.—Here follow seven other claims.]

(Specification, 14s.; drawing, 3s.)

No. 26213.—9th July, 1909.—ERNEST SMITH BALDWIN, of 215 Lambton Quay, Wellington, New Zealand, Patent Agent, nominee of The Spirella Company, of Meadville, Pennsylvania, United States of America (assignees of Marcus Meritt Beeman, of Meadville aforesaid). Machines for making wire garment-stays.

Claims.—(1.) A method of forming metallic stays for garments by bending wire into serpentine shape so as to form a succession of loops arranged side by side and alternately in opposite directions, said loops slightly overlapping one another and preferably being concaved transversely, substantially as described.

[NOTE.—Here follow five other claims.]

(Specification, 12s. 6d.; drawing, 4s.)

An asterisk (*) denotes the complete specification of an invention for which a provisional specification has been already lodged.

NOTE.—The cost of copying the specification and drawing has been inserted after the notice of each application. An order for a copy or copies should be accompanied by a post-office order or postal note for the cost of copying.

The date of acceptance of each application is given after the number.

Extracts from the drawings accompanying the foregoing complete specifications appear at the end of this *Gazette*.

J. C. LEWIS,
Registrar.

Provisional Specifications accepted.

Patent Office,
Wellington, 28th July, 1909.

APPLICATIONS for Letters Patent, with provisional specifications, have been accepted as under:—

- No. 25637.—H. T. Twiss, food-receptacle.
- No. 25859.—C. J. Bailey, hat-pin-point protector.
- No. 26000.—C. W. Clayton, insole.
- No. 26017.—J. H. Hutchinson, backing pole-wagons.
- No. 26042.—S. H. Ramsbotham, acetylene-generator.
- No. 26044.—J. Riddles and G. Metcalfe, tire-cover.
- No. 26058.—A. E. Panting, R. G. Huswick, and G. H. Scott, motor-car, &c., wheel.
- No. 26060.—M. G. C. Dodwell, motor-car, &c., tire.
- No. 26061.—H. P. W. Esping, apparatus for raising liquids.
- No. 26073.—C. W. Clayton, bed.
- No. 26090.—S. Graham, railway and tramway rails.
- No. 26091.—J. Little, display-cabinet.
- No. 26093.—F. A. Cooper, acetylene-generator.
- No. 26095.—T. P. Smith and C. J. Maclean, water-closet cistern.
- No. 26096.—W. A. McNaught, branding-device.
- No. 26099.—W. H. Freeman, rope-protector.
- No. 26101.—H. Wallace, chaff-cutter safety device.
- No. 26106.—J. Treloar, engine-lubricator.
- No. 26107.—J. L. MacDonal, self oiling axle.
- No. 26109.—R. Heaven, speed-alarm.
- No. 26111.—D. S. Mackenzie, making dental fillings, &c.
- No. 26115.—J. O. Suckling, A. H. Herbert, and E. Page, water-closet flush.
- No. 26127.—J. H. Beamish, building-ventilator.
- No. 26131.—J. Thomas, chaff-cutter feed.
- No. 26132.—J. Thomas, hoe-support of drill.
- No. 26135.—H. P. Rasmussen, insulating-composition.
- No. 26136.—D. Kay, holding bags on chaff-cutters.
- No. 26137.—A. J. Bond, wrought-iron barrow-wheel.
- No. 26139.—C. W. Clayton, rubber heel.
- No. 26141.—H. Henderson, animal-cover.
- No. 26151.—E. A. McKinlay, cow-bail.
- No. 26152.—L. Marks, drafting trousers.
- No. 26156.—E. F. Jones and A. G. Fell, trolley-pole.
- No. 26158.—A. Parker, S. Salek, and J. E. Ffrost, counter invoice-book.
- No. 26160.—E. Norden, soap-saver.
- No. 26168.—A. A. Pinches, sand-soap.
- No. 26176.—C. F. Slegert, metal-recovery.
- No. 26179.—H. B. Tucker, scaling fish.
- No. 26182.—D. McCurdy, agricultural implement.
- No. 26183.—W. J. Roebuck, wire-tightener.
- No. 26215.—J. Foster, bread-toaster.

[NOTE.—Provisional specifications cannot be inspected, or their contents made known by this office in any way, until the complete specifications in connection therewith have been accepted.]

Letters Patent sealed.

LIST of Letters Patent sealed from the 6th to the 22nd July, 1909, inclusive:—

- No. 23765.—J. R. Patterson, actuating machine sheep-shears.
- No. 23871.—J. Ford, perambulator.
- No. 23890.—H. MacIntosh and G. H. Baylis, advertising-fan.
- No. 24130.—F. R. Kron, tanning leather.
- No. 24219.—A. H. Schmidt, diamond links for wire fabric.
- No. 24220.—A. Ellis, spring mattress.
- No. 24282.—P. Pickering, flooring-cramp.
- No. 24286.—N. Guthridge, sizing-classifier. (W. L. Card.)
- No. 24488.—J. Blake, milking-machine pulsator.
- No. 25175.—J. F. Stephenson, attaching ornamental mounts to bedstead-posts.
- No. 25257.—J. J. Daily, pneumatic saddle-cover.
- No. 25270.—W. M. Homan, sun-dial.
- No. 25307.—W. Moore, wire-strainer.
- No. 25368.—Monotype Machine (Colonial Patents) Syndicate, Limited, multiplex composing-mechanism. (W. Bancroft.)
- No. 25396.—J. W. Stamp and W. J. Powell, tank for treatment of offal, &c.
- No. 25567.—T. Edwards, treatment of auriferous and metalliferous matter by solvents.
- No. 25569.—Haines Thermo-Dynamic Motor Company, thermo-dynamic motor. (L. A. Haines.)
- No. 25610.—E. E. Kennedy, displaying advertising-matter.
- No. 25660.—W. T. Charley, motor road-vehicle. (J. J. Charley.)
- No. 25667.—G. G. Turri, wireless telegraphy. (E. Bellini and A. Tosi.)

Letters Patent on which Fees have been paid.

[NOTE.—The dates are those of the payments.]

SECOND-TERM FEES.

- No. 19704.—T. T. Rawhiti, vehicle-jack. 12th July.
- No. 19736.—F. Barrow, tufting and upholstering furniture, &c. (Novelty Tufting Company—A. Freschl.) 12th July.
- No. 19744.—R. H. Owen, range-finding apparatus. 19th July.
- No. 19755.—W. J. Jefferis, milking-appliance. 19th July.
- No. 19783.—E. G. Ward, draught, dust, &c., excluder. 22nd July.
- No. 19786.—L. R. Gillanders, hydraulic motor. 16th July.
- No. 19838.—F. A. Kjellin, electric furnace. 22nd July.
- No. 19866.—Aktiebolaget Separator, centrifugal separating-apparatus. (A. J. Ericsson.) 20th July.
- No. 19867.—Aktiebolaget Separator, centrifugal separating-apparatus. (B. Ljungstrom.) 20th July.
- No. 19868.—Aktiebolaget Separator, centrifugal separating-apparatus. (A. J. Ericsson.) 20th July.
- No. 19883.—W. J. Walleit, lock-nut. 19th July.
- No. 20024.—R. C. Bishop, gas-heated boiler. 14th July.
- No. 20042.—C. J. Alley, machine for chiming and crozing barrels. 22nd July.
- No. 20170.—P. Andersen, milking-apparatus. 17th July.

THIRD-TERM FEES.

- No. 15125.—F. M. Canda, cam, pulley, &c., locking device. 14th July.
- No. 15134.—Automatic Aerator Patents, Limited, aeration and bottling of liquids. (F. G. Hampson.) 16th July.
- No. 15151.—W. H. Lawrence and R. Kennedy, milking-apparatus. 22nd July.
- No. 15169.—A. G. Wass, manufacture of printers' varnish and ink. 17th July.
- No. 15176.—R. Dunne, mitre-cutting machine. 23rd July.

Subsequent Proprietors, &c., of Letters Patent registered.

[NOTE.—The name of the former proprietor is given in brackets; the date is that of registration.]

- No. 20170.—Carl Bergner, of Bergedorf, near Hamburg, in the Empire of Germany, Manufacturer. Milking-apparatus. (P. Andersen.) 19th July, 1909.
- No. 21550.—Carl Bergner, of Bergedorf, near Hamburg, in the Empire of Germany, Manufacturer. Milking-machine. (H. P. D. Ohlhaever.) 19th July, 1909.

No. 23765.—Note of agreement between James Robert Patterson, of Wellington, New Zealand, Merchant, and Frederick William Frankland, of Foxton, New Zealand, with reference to the assignment of a fourth share entered on Register. Actuating machine sheep-shears. (J. R. Patterson.) 19th July, 1909.

No. 23722.—Note of sole and exclusive license to Frederick Leslie, of Auckland, New Zealand, Agent, Percy Heard Stacey, of Wellington, New Zealand, Indent Agent, and Leonard Davidson Paterson, of Palmerston North, New Zealand, Merchant, to use, exercise, and manufacture the invention upon the terms and conditions set forth in deed entered on Register. Washing drinking-utensils. (J. Dixon and J. C. F. Lawrence.) 12th July, 1909.

No. 23722.—Note of assignment of license to The L. and D. Automatic Glass and Tumbler Washer Company, Limited, a company incorporated under the provisions of "The Companies Act, 1908," and carrying on business within the Dominion of New Zealand as Importers and Manufacturers, entered on the Register. Washing drinking-utensils. (J. Dixon and J. C. F. Lawrence.) 12th July, 1909.

Applications for Letters Patent abandoned.

LIST of applications, with which provisional specifications only have been filed, abandoned (*i.e.*, complete specifications not lodged) from the 11th to the 24th July, 1909, inclusive:—

- No. 24916.—G. Hyde, holder for telephone-list.
- No. 24917.—G. H. Jenkinson and H. A. Ward, milk-cooler.
- No. 24918.—A. L. ell, pudding-mould.
- No. 24919.—W. J. McElroy, scrub-cutter.
- No. 24924.—G. Craw, flax-treating apparatus.
- No. 24925.—A. H. Wright, game and advertising-device.
- No. 24926.—A. H. Wright, programme-holder and fan.
- No. 24927.—T. Seed, ointment.
- No. 24931.—A. H. Wright, net attachment to table for catching balls, &c.
- No. 24935.—F. McLaughlin, go-cart.
- No. 24936.—E. J. Whyte, milk-can.
- No. 24937.—A. W. Rogers, magazine rifle.
- No. 24945.—O. P. Thomas, G. J. Bertinshaw, and G. F. Thomas, fire-grate.
- No. 24946.—H. H. Adams, auxiliary propeller.
- No. 24947.—A. Campbell, hydraulic nozzle.
- No. 24953.—A. J. Whiteside, flax-dressing apparatus.
- No. 24955.—J. H. Beamish, ventilator for buildings.
- No. 24962.—C. Roberts, detachable tap for kerosene-tins, &c.
- No. 24963.—A. H. Wright, clothes-line prop.
- No. 24965.—E. O. Blackwell, harvester, thresher, &c., for peas.
- No. 24967.—A. H. Wright, advertising and displaying device.
- No. 24970.—A. Cometti and A. J. McCarthy, motor-car, &c., wheel.
- No. 24971.—F. W. May, flax washer and scraper.

Application for Letters Patent withdrawn.

THE following application for Letters Patent has been withdrawn:—

No. 24489.—J. Blake, vacuum tank for milking-machine. (Advertised in Supplement to *New Zealand Gazette*, No. 24, of the 25th March, 1909.)

Applications for Letters Patent void.

APPLICATIONS for Letters Patent, with which complete specifications have been lodged, void owing to non-acceptance of such complete specifications, from the 11th to the 24th July, 1909, inclusive:—

- No. 24270.—E. B. Killen, rubber tread for wheels.
- No. 24285.—J. O. Skilton and G. Cunningham, oil-tractor.
- No. 24299.—W. Henry, window-sash.

Applications for Letters Patent lapsed.

APPLICATIONS for Letters Patent lapsed, owing to Letters Patent not being sealed, from the 11th to the 24th July, 1909, inclusive:—

- No. 23908.—W. E. Hughes, spouting-bracket. (O. J. Gboze.)
- No. 23912.—J. B. Grove, tire-tread holder.
- No. 23926.—D. Garner-Jones, folding-chair.

Letters Patent void.

LIST of Letters Patent void through non-payment of renewal fees, and through expiry of term of fourteen years, from the 11th to the 24th July, 1909, inclusive:—

THROUGH NON-PAYMENT OF SECOND-TERM FEES.

- No. 19334.—P. L. Weston, bevel-gear milling-machine.
- No. 19338.—W. Little, cooking-vessel protector, &c.
- No. 19342.—C. E. Bernays, bogie car.
- No. 19343.—D. W. Bodle, silo. (A. O. Hubbard.)
- No. 19348.—C. E. E. Smith, flax-catching machine.
- No. 19356.—H. M. Butler, metallic axles for road-vehicles.
- No. 19358.—F. F. Bourdil, microphone.
- No. 19360.—C. E. E. Smith, flax catching, washing, and scraping apparatus.
- No. 19362.—The Empire Oil Engine Syndicate, Limited, internal-combustion engine. (J. Clay.)
- No. 19367.—H. Braby, burner.
- No. 19370.—J. and R. Lindsay, trolley-pole.
- No. 19372.—N. W. Gosling and J. Kennington, washing and draining cabinet.
- No. 19373.—Leede Process Company, gas-making apparatus. (J. Leede.)
- No. 19375.—C. Glynas, slimes-treatment.
- No. 19376.—A. J. Buckland, apparatus for feeding calves and lambs.
- No. 19379.—R. W. Fairbrother, steamer and boiler.
- No. 19380.—O. Frühling, suction dredge.
- No. 19381.—O. Frühling, dredger-head.

THROUGH NON-PAYMENT OF THIRD-TERM FEES.

- No. 14739.—Federal Refining Company, sugar-treatment. (C. A. Spreckels and C. A. Kern.)
- No. 14747.—J. T. Good, rabbit-trap attachment.
- No. 14757.—The Taipo Explosives Syndicate, Limited, explosive. (A. McCracken.)
- No. 14787.—L. O. Beal, range-finder, &c.
- No. 14790.—The British Westinghouse Electric and Manufacturing Company, Limited, electric-motor controller. (J. T. Hunter—T. S. Perkins.)
- No. 14798.—J. Campbell, coal-lighter, &c.

THROUGH EXPIRY OF TERM.

- No. 7757.—Beckford and Huffman Company, grain-drill. (G. W. Kirkpatrick.)

Design registered.

A DESIGN has been registered in the following name on the date mentioned:—

- No. 486.—G. W. Hunton, of Christchurch, N.Z. Class 10. 7th July, 1909.

Applications for Trade Marks filed.

LIST of applications for registration of Trade Marks filed from the 10th to the 23rd July, 1909, inclusive:—

- No. 8104.—10th July.—Farmer's Sanitary Pan Company of New Zealand, Auckland, N.Z. Class 18.
- Nos. 8105 and 8106.—12th July.—Neil and Co., Limited, Christchurch, N.Z. Class 42.
- No. 8107.—12th July.—J. Daglish, Mosgiel, N.Z. Class 42.
- No. 8108.—18th July.—T. H. Green and Co., Christchurch, N.Z. Class 42.
- Nos. 8109 and 8110.—13th July.—Diamond Cycle Components and Engineering Company, Limited, Birmingham, England. Class 22.
- No. 8111.—13th July.—J. Takamine, New York, U.S.A. Class 42.
- No. 8112.—16th July.—E. F. Lutz, St. Albans, N.Z. Class 3.
- No. 8113.—17th July.—Crown Clothing Manufacturing Company, Christchurch, N.Z. Class 38.
- No. 8114.—19th July.—Farmer's Sanitary Pan Company of New Zealand, Auckland, N.Z. Class 2.
- No. 8115.—19th July.—Nobel's Explosives Company, Limited, Glasgow, Scotland. Class 20.
- No. 8116.—19th July.—F. H. Cotton, Christchurch, N.Z. Class 50.
- Nos. 8117 and 8118.—19th July.—C. A. Fletcher, Wellington, N.Z. Class 3.
- No. 8119.—22nd July.—A. C. Buzby, Philadelphia, U.S.A. Class 47.
- No. 8120.—22nd July.—Canada Cycle and Motor Company, Limited, Toronto, Canada. Class 13.
- No. 8121.—22nd July.—A. M. Hendy, Dunedin, N.Z. Class 50.

Nos. 8122, 8123, 8124, and 8125.—22nd July.—The Darling Proprietary, Limited, Melbourne, Victoria. Class 1.

No. 8126.—22nd July.—J. Mitchell, Auckland, N.Z. Class 17.

No. 8127.—22nd July.—W. H. Comstock Company, Limited, Morristown, U.S.A. Class 3.

No. 8128.—23rd July.—F. B. Kynvett, Auckland, N.Z. Class 6.

No. 8129.—23rd July.—A. Buckley, Devonport, N.Z. Class 3.

No. 8130.—23rd July.—A. and T. Burt, Limited, Dunedin, and elsewhere, N.Z. Class 18.

No. of application: 8089.

Date: 2nd July, 1909.

TRADE MARK.

The words

ROYAL STANDARD.

No claim is made to the use of a representation of the Royal Standard.

NAME.

FERNAND LEVIC, trading as "Frossard, Levic, and Co.," at 100 Clarence Street, Sydney, in the State of New South Wales, Commonwealth of Australia, Merchant.

No. of class: 45.

Description of goods: Tobacco, cigars, and cigarettes.

Applications for Registration of Trade Marks.

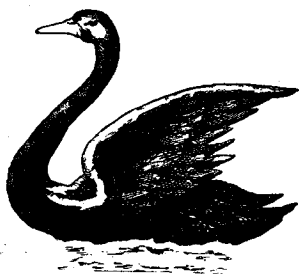
Patent Office,
Wellington, 28th July, 1909.

APPLICATIONS for registration of the following Trade Marks have been received. Notice of opposition to the registration of any of these applications may be lodged at this office within two months of the date of this Gazette. Such notice must be in duplicate, and accompanied by a fee of £1.

No. of application: 7911.

Date: 24th March, 1909.

TRADE MARK.



BLACK SWAN

NAME.

J. AND W. NICHOLSON AND Co., LIMITED, of 195 St. John Street, Clerkenwell, London, England, Distillers.

No. of class: 43.

Description of goods: Fermented liquors and spirits, but excluding stouts, ales, and beers of all descriptions.

No. of application: 8095.

Date: 8th July, 1909.

TRADE MARK.

The words

**E. MORRISON & SONS,
RED BLUFF ORCHARDS AND NURSERIES,
WARKWORTH, N.Z.**

The essential particulars of this trade mark are the words "Red Bluff"; and any right to the exclusive use of the added matter is disclaimed.

The applicants claim that the words "Red Bluff" have been used by them and their predecessor in business in respect of the article mentioned for approximately twenty-five years.

NAME.

E. MORRISON AND SONS, of Warkworth, in the Dominion of New Zealand, Orchardists and Nurserymen.

No. of class: 42.

Description of goods: Fruit.

No. of application: 8082.

Date: 29th June, 1909.

TRADE MARK.

HECLA

NAME.

VACUUM OIL COMPANY PROPRIETARY, LIMITED, of 90 William Street, Melbourne, in the State of Victoria and Commonwealth of Australia, and of 4 Willis Street, Wellington, in the Dominion of New Zealand, Oil and Grease Merchants.

No. of class: 47.

Description of goods: Illuminating, heating, and lubricating oils, candles, and all oils and lubricating greases included in this class.

TRADE MARK.



The essential particulars of this trade mark are the representation of a tiger and the word "Tiger"; and any right to the exclusive use of the added matter is disclaimed.

No. of application: 8097.

Date: 8th July, 1909.

NAME.

LEVER BROS., LIMITED, of Balmain, near Sydney, State of New South Wales, in the Commonwealth of Australia, Manufacturers.

No. of class: 47.

Description of goods: Soap, soap-powders, and all other soap products and preparations.

No. of application: 8098.

Date: 8th July, 1909.

TRADE MARK.

(The mark as shown in preceding notice, No. 8097.)

The essential particulars of this trade mark are the representation of a tiger and the word "Tiger"; and any right to the exclusive use of the added matter is disclaimed.

NAME.

LEVER BROS., LIMITED, of Balmain, near Sydney, State of New South Wales, in the Commonwealth of Australia, Manufacturers.

No. of class: 48.

Description of goods: Perfumed soap, perfumery, and glycerine for toilet purposes.

No. of application: 8099.

Date: 8th July, 1909.

TRADE MARK.



The essential particular of this trade mark is the following—the distinctive label.

NAME.

PORTERBRYGGERIAKTIEBOLAGET D. CARNEGIE AND Co., of Göteborg, Sweden, Brewer.

No. of class: 43.

Description of goods: Porter.

No. of application: 8100.

Date: 8th July, 1909.

TRADE MARK.

The word

PASTELLO.

NAME.

HERMANN JOHN SCHMIDT, of Auckland, in the Dominion of New Zealand, Photographer.

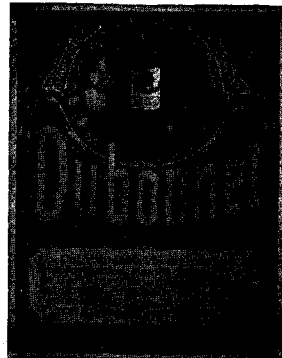
No. of class: 39.

Description of goods: Photographs.

No. of application: 8102.

Date: 9th July, 1909.

TRADE MARK.



The essential particular of the trade mark is as follows—the distinctive label.

NAME.

SOCIÉTÉ ANONYME "DUBONNET," of No. 7 Rue Mornay Paris, France.

No. of class: 43.

Description of goods: Wine.

No. of application: 8103.

Date: 9th July, 1909.

TRADE MARK.



NAME.

WRIGHT, STEPHENSON, AND Co., LIMITED, of Dunedin, Invercargill, Wellington, Gore, Oamaru, &c., in the Dominion of New Zealand, Merchants.

No. of class: 42.

Description of goods: Butter and cheese.

No. of application: 8104.

Date: 10th July, 1909.

TRADE MARK.

**THE
SANITANT**

NAME.

FARMER'S SANITARY PAN COMPANY OF NEW ZEALAND, King's Court Buildings, Upper Queen Street, Auckland, in the Dominion of New Zealand, Manufacturers.

No. of class: 18.

Description of goods: Sanitary and disinfectant appliances.

No. of application: 8105.

Date: 12th July, 1909.

TRADE MARK.

The word

COORODOOWATTE.

NAME.

NEILL AND Co., LIMITED, of Lichfield Street, Christchurch, in the Dominion of New Zealand, Merchants.

No. of class: 42.

Description of goods: Tea.

No. of application: 8107.

Date: 12th July, 1909.

TRADE MARK.

The word

CUPID.

NAME.

JAMES DAGLISH, of Mosgiel, in the Dominion of New Zealand, Commercial Traveller.

No. of class: 42.

Description of goods: Tea, coffee, cocoa, and chicory, and all goods included in this class.

[NOTE.—Class 42 is for "Substances used as food or as ingredients in food."]

No. of application: 8108.

Date: 13th July, 1909.

TRADE MARK.

The word

ORIENT.

NAME.

T. H. GREEN AND Co., of 162-164 Tuam Street, Christchurch, in the Dominion of New Zealand, Merchants.

No. of class: 42.

Description of goods: Cereals, pulses, olive-oil, dried fruits, salt, sugar, preserved meats, confectionery, pickles, and vinegar.

No. of application: 8109.

Date: 13th July, 1909.

TRADE MARK.

The word

DIAMOND.

NAME.

THE DIAMOND CYCLE COMPONENTS AND ENGINEERING COMPANY, LIMITED, of King Edward's Road, Birmingham, England, Manufacturers.

No. of class: 22.

Description of goods: Cycles.

No. of application: 8111.

Date: 13th July, 1909.

TRADE MARK.

TAKA

NAME.

JOKICHI TAKAMINE, of 550 West 173rd Street, New York City, New York, United States of America.

No. of class: 42.

Description of goods: Koji, moyashi, diastase ferments, and converting agents.

No. of application: 8112.

Date: 16th July, 1909.

TRADE MARK.

The word

EXOLA.

NAME.

EMANUEL FREDERIC LUTZ, of 40 North Crescent Road, St. Albans, Christchurch, in the Dominion of New Zealand.

No. of class: 3.

Description of goods: Skin-ointment for burns, &c.

No. of application: 8114.
Date: 19th July, 1909.

TRADE MARK.

(The mark as shown in preceding notice, No. 8104.)

NAME.

FARMER'S SANITARY PAN COMPANY OF NEW ZEALAND, of King's Court Buildings, Upper Queen Street, Auckland, in the Dominion of New Zealand, Manufacturers.

No. of class: 2.
Description of goods: Disinfectant oils.

No. of application: 8117.
Date: 19th July, 1909.

TRADE MARK.

The word

PHOSPHATONIC.

NAME.

CHARLES AUGUSTUS FLETCHER, of Talavera Terrace, Wellington, in the Dominion of New Zealand, Chemist.

No. of class: 3.
Description of goods: Medicines for human use.

No. of application: 8119.
Date: 22nd July, 1909.

TRADE MARK.



NAME.

AUGUSTUS CRANE BUZBY, a citizen of the United States of America, residing at Philadelphia, in the County of Philadelphia and State of Pennsylvania, United States of America, Manufacturer, and trading as "The Keystone Lubricating Company," located and doing business at Nos. 2007 and 2009 Allegheny Avenue, Philadelphia aforesaid.

No. of class: 47.
Description of goods: Lubricating substances, such as oils and greases.

No. of application: 8120.
Date: 22nd July, 1909.

TRADE MARK.

The word

HERCULES.

NAME.

CANADA CYCLE AND MOTOR COMPANY, LIMITED, of Toronto, Canada.

No. of class: 13.

Description of goods: Hubs and free-wheel and brake mechanisms.

No. of application: 8122.
Date: 22nd July, 1909.

TRADE MARK.

The word

ARGO.

NAME.

DARLING PROPRIETARY, LIMITED, of 381 Little Collins Street, Melbourne, in the State of Victoria, in the Commonwealth of Australia, Manufacturers.

No. of class: 1.

Description of goods: A preparation for plating or coating metallic articles with silver.

No. of application: 8129.
Date: 23rd July, 1909.

TRADE MARK.

The word

ECLIPSE.

NAME.

ARTHUR BUCKLEY, of Lake Road, Devonport, near the City of Auckland, in the Dominion of New Zealand, Paper-maker.

No. of class: 3.

Description of goods: Medicated articles, medicines, plasters, embrocation.

J. C. LEWIS,
Registrar.

Trade Marks registered.

LIST of Trade Marks registered from the 10th to the 23rd July, 1909, inclusive:—

No. 6241/7612.—A. Watson and Co. Class 42. (*Gazette* No. 38, of the 6th May, 1909.)
No. 6242/7949.—Martin Hall and Co., Limited. Class 12. (*Gazette* No. 38, of the 6th May, 1909.)
No. 6243/7950.—Martin Hall and Co., Limited. Class 14. (*Gazette* No. 38, of the 6th May, 1909.)
No. 6244/7926.—S. J. Stagpoole. Class 3. (*Gazette* No. 34, of the 22nd April, 1909.)
No. 6245/7929.—Wallace, Scott, and Co., Limited. Class 38. (*Gazette* No. 34, of the 22nd April, 1909.)
No. 6246/7930.—Wallace, Scott, and Co., Limited. Class 38. (*Gazette* No. 34, of the 22nd April, 1909.)
No. 6247/7864.—Hygienic Company, Limited. Class 3. (*Gazette* No. 12, of the 11th February, 1909.)
No. 6248/7379.—Cycle and Motor Supplies, Limited. Class 22. (*Gazette* No. 64, of the 20th August, 1908.)
No. 6249/7512.—Cycle and Motor Supplies, Limited. Class 6. (*Gazette* No. 64, of the 20th August, 1908.)
No. 6250/7412.—Warnock Bros. Class 47. (*Gazette* No. 85, of the 29th October, 1908.)

No. 6251/7609.—Warnock Bros. Class 47. (*Gazette* No. 85, of the 29th October, 1908.)
 No. 6252/7418.—Indian Tea Planters' Combination. Class 42. (*Gazette* No. 16, of the 25th February, 1909.)
 No. 6253/7432.—Ideal Concrete Machinery Company. Class 18. (*Gazette* No. 12, of the 11th February, 1909.)
 No. 6254/7455.—J. Wiseman and Sons, Limited. Class 37. (*Gazette* No. 12, of the 11th February, 1909.)
 No. 6255/7468.—Peek, Frean, and Co., Limited. Class 42. (*Gazette* No. 12, of the 11th February, 1909.)
 No. 6256/7544.—A. J. Tower Company. Class 38. (*Gazette* No. 16, of the 25th February, 1909.)
 No. 6257/7729.—F. Doble and Sons. Class 34. (*Gazette* No. 105, of the 23rd December, 1908.)
 No. 6258/7827.—A. L. Lee. Class 48. (*Gazette* No. 21, of the 11th March, 1909.)
 No. 6259/7838.—J. Stanford. Class 13. (*Gazette* No. 38, of the 6th May, 1909.)
 No. 6260/7907.—Needham, Niven, and Co., Limited. Class 25. (*Gazette* No. 38, of the 6th May, 1909.)
 No. 6261/7932.—Needham, Niven, and Co., Limited. Class 50. (*Gazette* No. 38, of the 6th May, 1909.)
 No. 6262/7947.—T. H. Garland and Son. Class 50. (*Gazette* No. 38, of the 6th May, 1909.)
 No. 6263/7948.—Bryant and May, Limited. Class 47. (*Gazette* No. 38, of the 6th May, 1909.)
 No. 6264/7954.—J. W. Bates. Class 48. (*Gazette* No. 38, of the 6th May, 1909.)
 No. 6265/7957.—Denison Limited. Class 48. (*Gazette* No. 38, of the 6th May, 1909.)
 No. 6266/7966.—Sandell-Gray Figure Trainer, Limited. Class 49. (*Gazette* No. 38, of the 6th May, 1909.)
 No. 6267/7441.—Jacobs and Co. Class 42. (*Gazette* No. 58, of the 23rd July, 1908.)
 No. 6268/7807.—British Imperial Oil Company, Limited. Class 47. (*Gazette* No. 12, of the 11th February, 1909.)
 No. 6269/7808.—British Imperial Oil Company, Limited. Class 47. (*Gazette* No. 12, of the 11th February, 1909.)

Subsequent Proprietors of Trade Marks registered.

[NOTE.—The name of the former proprietor is given in brackets; the date is that of registration.]

NOs. 553/494, 554/495, and 2436/1946.—The Asiatic Petroleum Company, Limited, of 24 and 28 St. Mary Axe, London, England, Merchants. (La Société Commerciale et Industrielle de Naphte Caspienne et de la Mer Noire.) 14th July, 1909.

Trade Mark Renewal Fees paid.

FEES paid for the renewal of the undermentioned Trade Marks for fourteen years from the date first mentioned:—

No. 1403/1220.—7th March, 1909.—W. Wright, of Dunedin, New Zealand. Class 42. 24th June, 1909.
 No. 1474/1191.—26th July, 1909.—W. Gregg and Co., of Dunedin, New Zealand. Class 42. 23rd July, 1909.

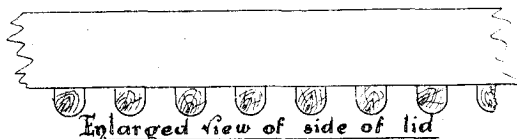
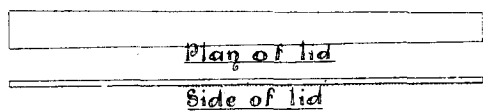
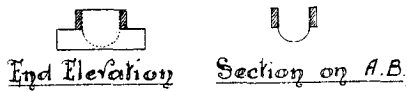
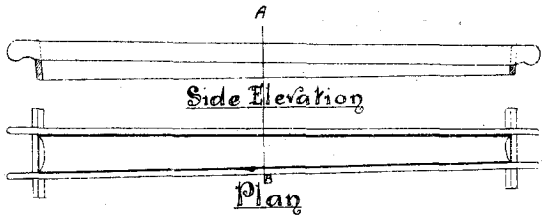
Trade Mark restored to the Register.

THE following trade mark has been restored to the Register:—

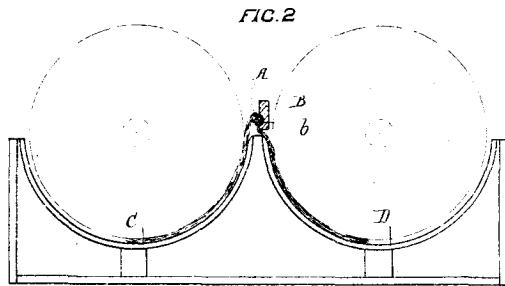
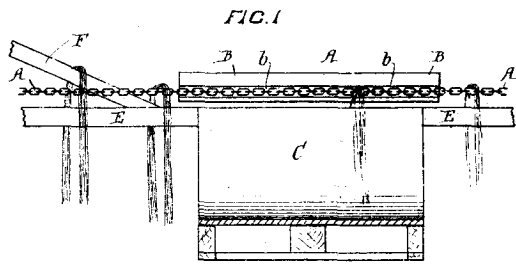
No. 1403/1220.—W. Wright, trading as "W. Wright and Co." (Application for restoration advertised in Supplement to *New Zealand Gazette*, No. 55, of the 1st July, 1909.)

ILLUSTRATIONS OF INVENTIONS.

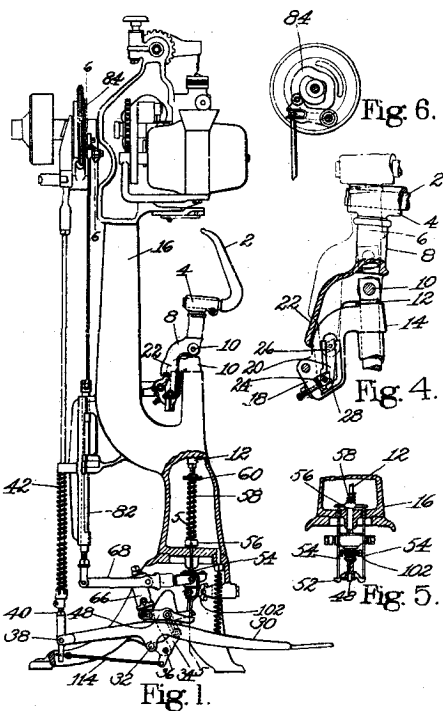
[These illustrations refer to the complete specifications accepted, and advertised in this *Gazette*.]



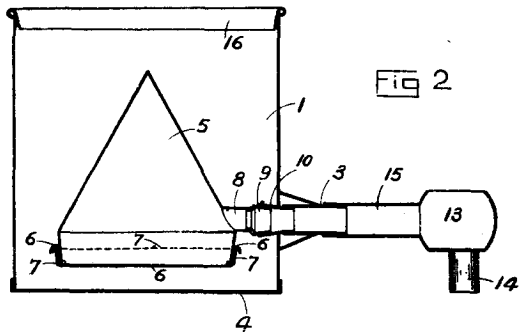
26070 Hall and Worthington. Concrete-post Mould.



24734 Seifert and Campbell. Flax-treatment.



24938 United Shoe Machinery Company. Boot-machine Work-support. (Jerram, Gouldbourn, and Bates.)



24928 Walker. Milk, &c., Strainer.

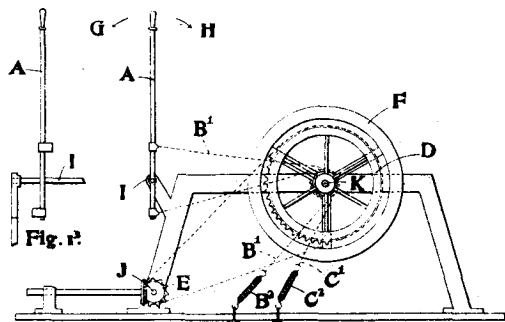


Fig. 1.

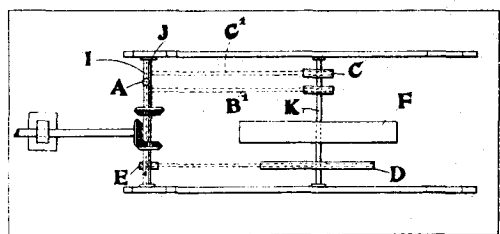
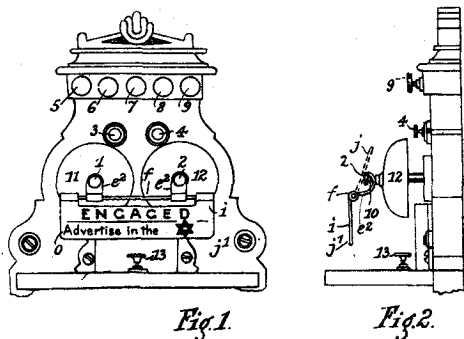
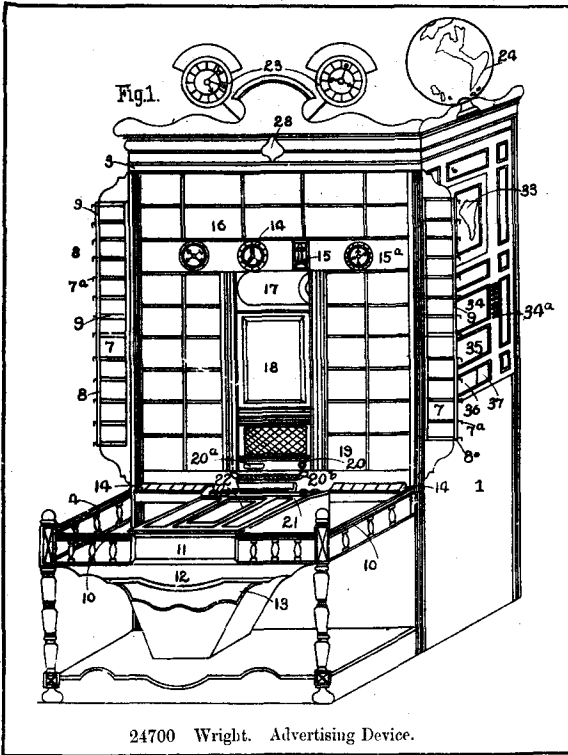


Fig. 2.

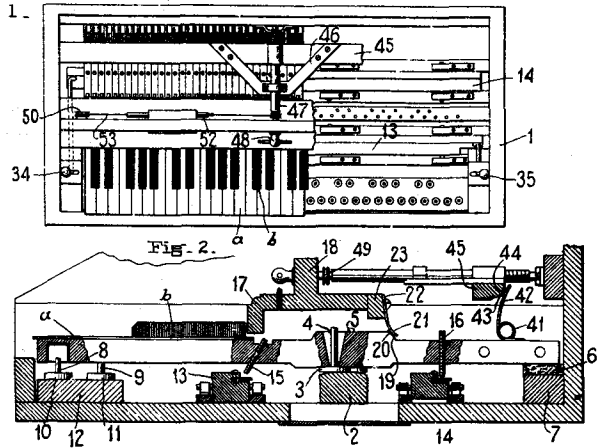


26117 Lloyd and Weaver. Telephone Accessories.

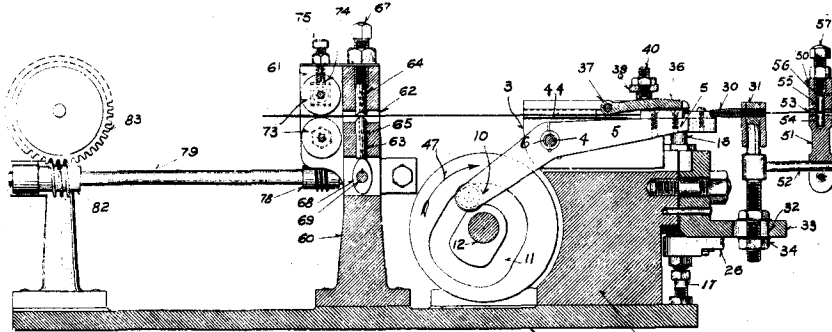
25133 Coleman. Driving-gear.



24700 Wright. Advertising Device.



26074 Virgil. Musicians' Exercising-keyboard.



26213 Baldwin. Wire-garment Stays. (Spirella Company—Beeman).

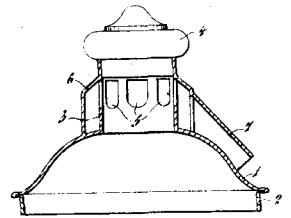
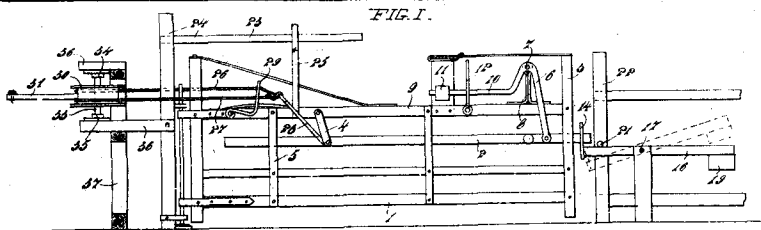
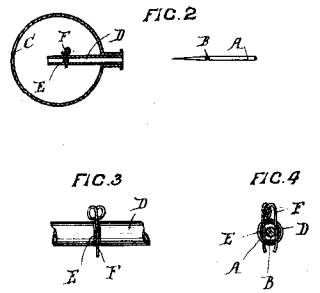


FIG. I.

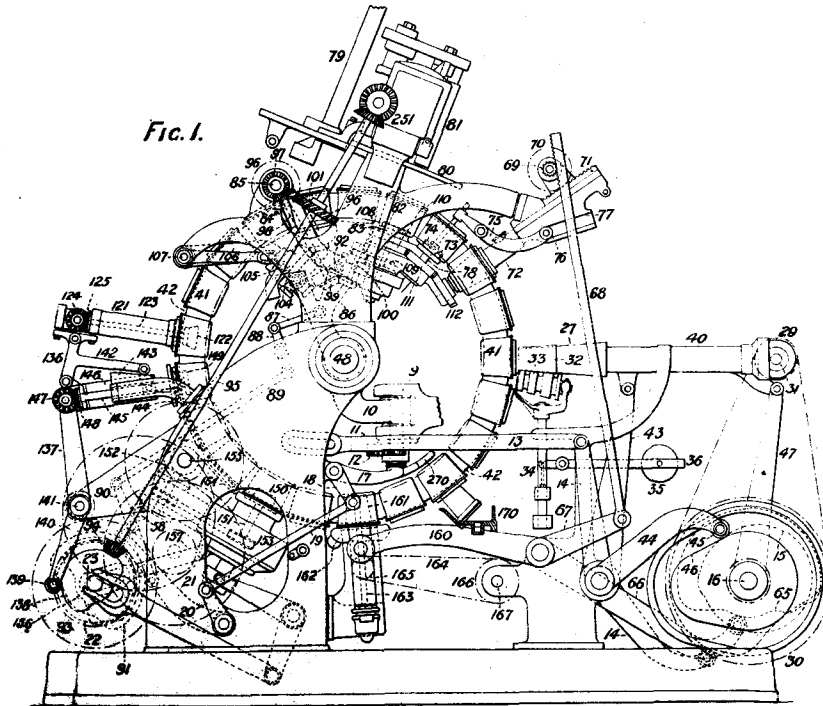
26108 Wood. Kettle-lid.



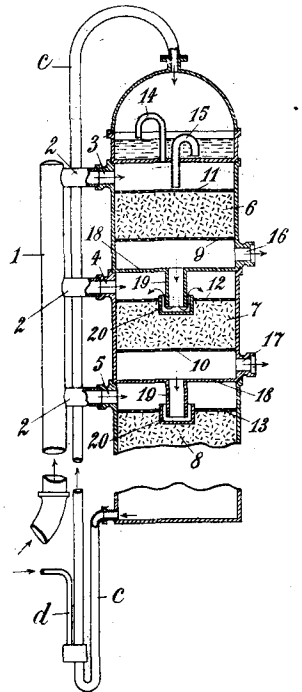
26082 Andersen. Gate Opener and Closer.



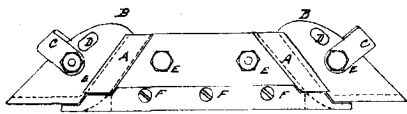
25902 Melva. Hat-pin.



26116 Mono-service Vessels (Limited). Paper Milk-vessel. (Taylor).



26045 Moscicki. Treating Gases by Liquids.



25160 Russell and Lord. Splicing-ear for Electric Cable.

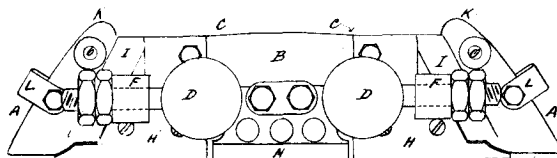
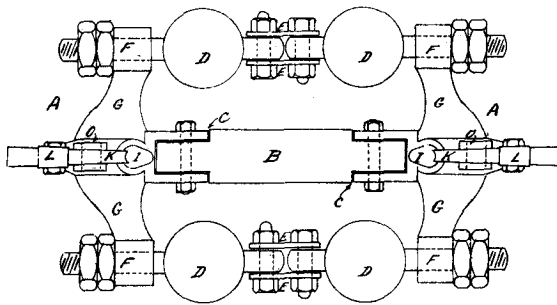


Fig 1



25165 Russell and Lord. Tramway-insulator.

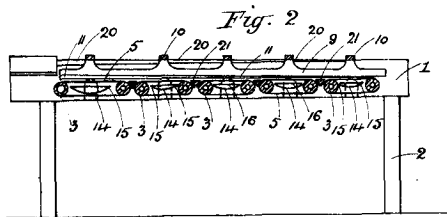


Fig. 2

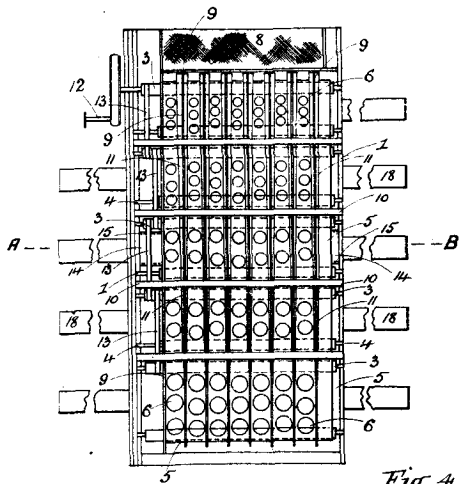
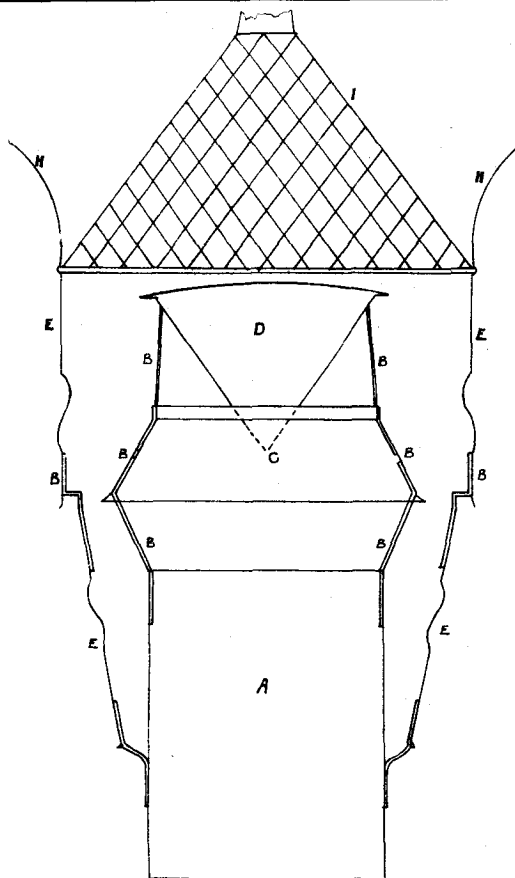
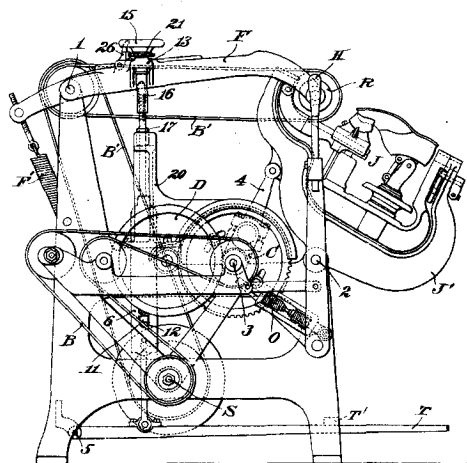


Fig. 4

25206 Lomas. Apple-grader.



25945 Blockley. Ventilator.



26122 United Shoe Machinery Company. Sole-leveler. (Rigby.)

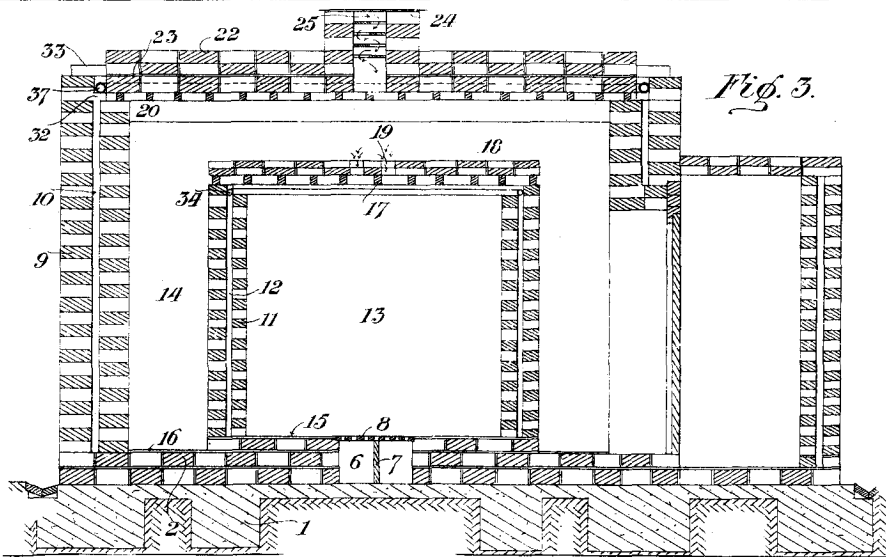


Fig. 3.

25544 Mederer. Cooling-chamber.

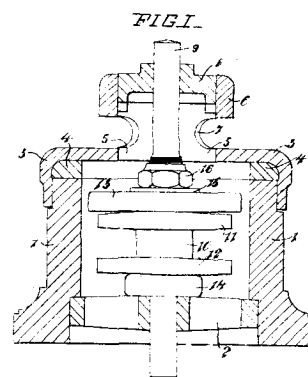
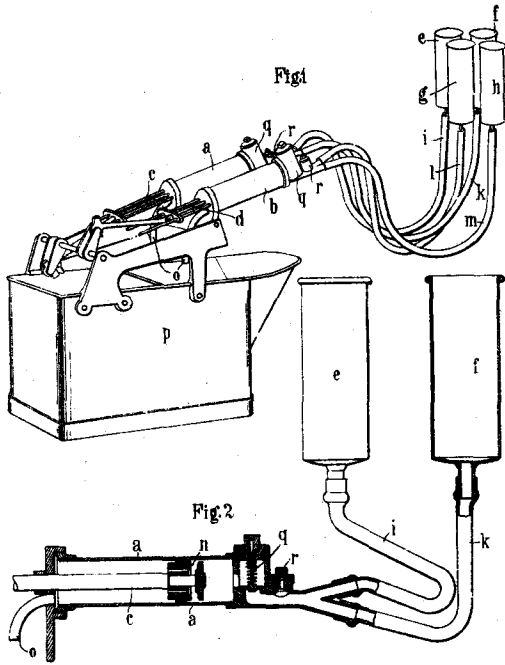
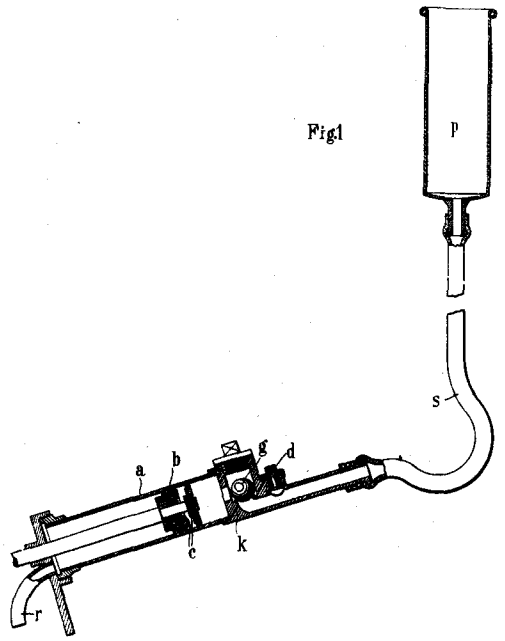


FIG. 1.

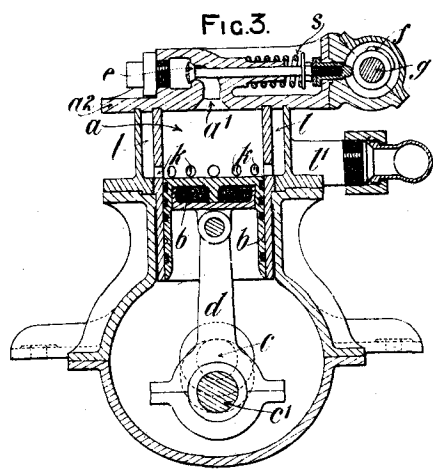
26104 Angus. Hydraulic Valve.



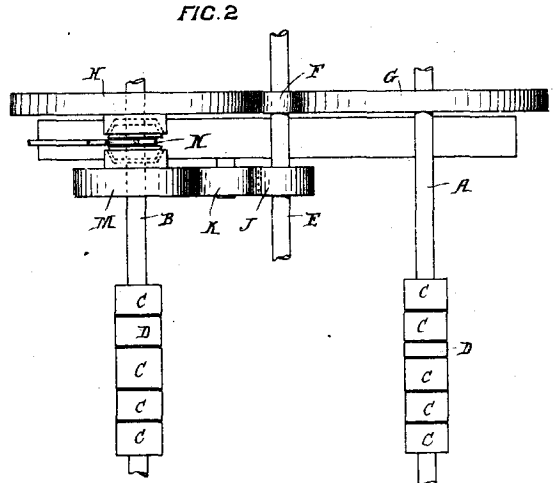
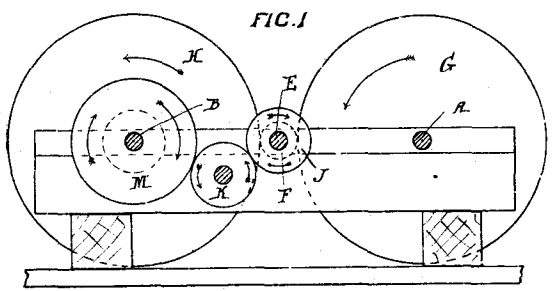
25900 Ohlaver. Milking-machine.



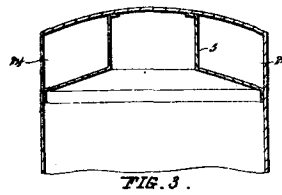
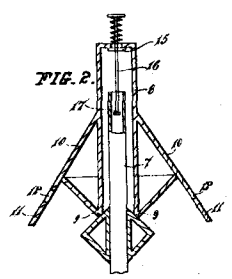
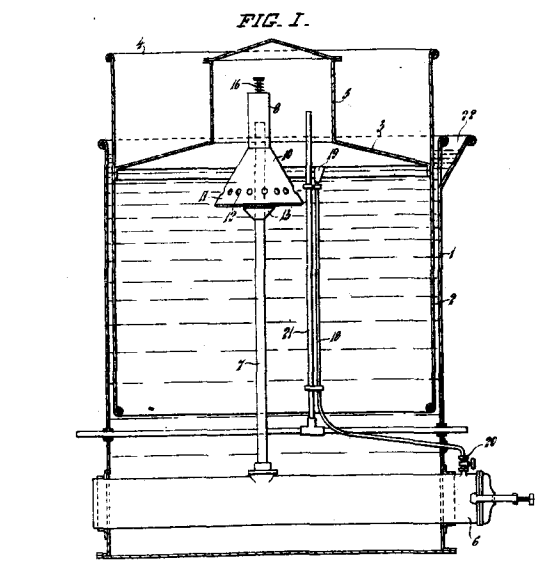
25901 Ohlaver. Milking-machine.



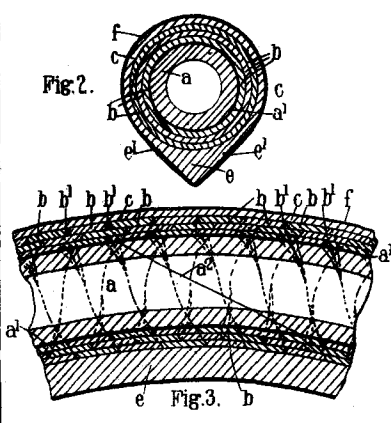
26011 Holle. Steam, &c., Engine.



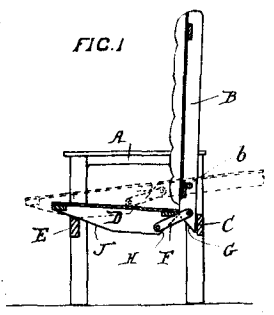
26026 Brownlee. Saw-bench Feed-gear.



26037 Ballinger and Co. Acetylene-generator. (Fischer.)



26040 Carpenter. Tire.



24915 Barton. Chair.